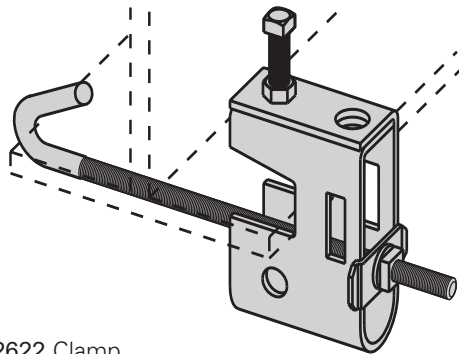


**AS2622-J**  
**Beam Clamp Assembly**

- Includes:
  - 1 pc. B751 Beam clamp
  - 1 pc. B701 Type J-Hook only
  - 1 pc. SA203-158 Clip
  - 1 pc.  $\frac{3}{8}$ "-16 Hex Nut
- $\frac{1}{4}$ " (6.3) Diameter J-Hook available upon request  
 Part Number changes to B751-J- $\frac{1}{4}$  and a  $\frac{1}{4}$ -20 machine square nut (MSQN) is used
- Use B753 Swivel Nut (not included)
- Standard finishes: ZN

Part No.	For Flange Width		Wt./C	
	In.	mm	Lbs.	kg
<b>AS2622-J4-<math>\frac{3}{8}</math></b>	3"-6"	(76.2-152.4)	70	(31.7)
<b>AS2622-J6-<math>\frac{3}{8}</math></b>	5"-9"	(127.0-228.6)	78	(35.4)
<b>AS2622-J9-<math>\frac{3}{8}</math></b>	8"-12"	(203.2-304.8)	83	(37.6)
<b>AS2622-J12-<math>\frac{3}{8}</math></b>	11"-15"	(279.4-381.0)	88	(39.9)

J- $\frac{3}{8}$  J-Hook



B2622 Clamp