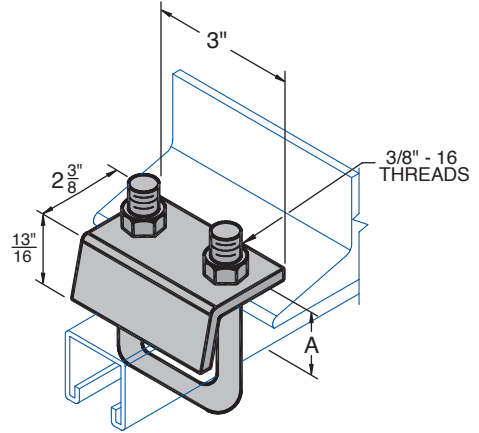


AS-2651-T1

AS-2651-T2

Beam Clamp

Catalog No.	A	Wt./100 Pcs.
AS-2651-T1	3"	89
AS-2651-T2	5"	92



Specifications

GENERAL

ALL-STRUT General Fittings are designed to secure ALL-STRUT 1⁵/₈" wide channels, or threaded rod, to beams or supports for the purpose of running piping, conduit or tubing. ALL-STRUT fittings are manufactured from 1/4" thick carbon steel or cast malleable iron. Please contact the factory for any other clamps you may need.

MATERIAL

ALL-STRUT fittings are manufactured from the following material:

- Hot Rolled Steel Sheet.ASTM A-1101 or Cold Rolled Steel Sheet.ASTM A-1008
- Stainless Steel-Type 304/316L. .ASTM A-240
- Malleable Cast Iron

FINISH

ALL-STRUT pipe clamps are available in the following finishes:

- Electro-GalvanizedASTM B-633
- Hot Dipped Galvanized.ASTM A-123
- Zinc Trivalent Chromium.ASTM B-633-85
- Powder Coated Supr-Green. . . .ASTM B-117
- PVC Coating - Available Upon Request