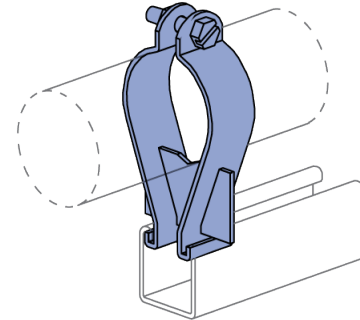


Materials & Finishes - Standard:

- **Base Metal:** Steel conforms to ASTM A1011 SS GR 33, A1011 HSLAS GR 45, A36, A575, A576, or A635.
- **Electrogalvanized (EG):** Conforms to ASTM B633, Type III SC1
- **Hot Dip Galvanized (HD):** Conforms to ASTM A123 or A153
- **Perma-Green (GR):** Conforms to commercial standards for powder coating
- **Perma-Gold (GD):** Conforms to ASTM B633, Type II SC1 Plain
- **(BK):** No finish

Materials & Finishes - Special Metals:

- **Stainless Steel, Type 304 (SS4):** Conforms to ASTM A240 or A276, Type 304 *
- **Stainless Steel, Type 316 (SS6):** Conforms to ASTM A240 or A276, Type 316 *
- **Aluminum (AL):** Conforms to ASTM B209, Type 1100F or 5052-H32 *



Part No.	Nom. Pipe Size	O.D. Size	Finish	Product Weight / Piece (lbs)
AS3138	3/8" (10)	0.675" (17.1)	EG	0.27
AS3138	1/2" (13)	0.840" (21.3)	EG	0.29
AS3138	3/4" (19)	1.050" (26.7)	EG	0.3
AS3138	1" (25)	1.315" (33.4)	EG	0.31
AS3138	1-1/4" (32)	1.660" (42.2)	EG	0.38
AS3138	1-1/2" (38)	1.900" (48.3)	EG	0.4
AS3138	2" (51)	2.375" (60.3)	EG	0.47
AS3138	2-1/2" (64)	2.875" (73.0)	EG	0.66
AS3138	3" (76)	3.500" (88.9)	EG	0.78
AS3138	3-1/2" (89)	4.000" (101.6)	EG	0.87
AS3138	4" (102)	4.500" (114.3)	EG	0.9

