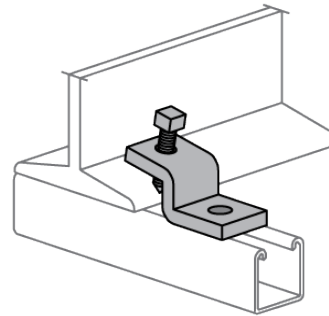


**Materials & Finishes - Standard:**

- **Base Metal:** Steel conforms to ASTM A1011 SS GR 33, A1011 HSLAS GR 45, A36, A575, A576, or A635.
- **Electrogalvanized (EG):** Conforms to ASTM B633, Type III SC1
- **Hot Dip Galvanized (HD):** Conforms to ASTM A123 or A153 Perma-
- **Green (GR):** Conforms to commercial standards for powder coating
- **Perma-Gold (GD):** Conforms to ASTM B633, Type II SC1
- **Plain (BK):** No finish
- 
- 

**Materials & Finishes - Special Metals:**

- **Stainless Steel, Type 304 (SS4):** Conforms to ASTM A240 or A276, Type 304 \*
- **Stainless Steel, Type 316 (SS6):** Conforms to ASTM A240 or A276, Type 316 \*
- **Aluminum (AL):** Conforms to ASTM B209, Type 1100F or 5052-H32 \*



Part No.	Finish	Product Weight / Piece (lbs)
PS 685	EG	0.75
PS 685	HD	0.795

