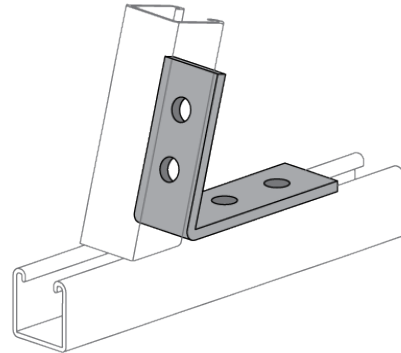


**Materials & Finishes - Standard:**

- **Base Metal:** Steel conforms to ASTM A1011 SS GR 33, A1011 HSLAS GR 45, A36, A575, A576, or A635.
- **Electrogalvanized (EG):** Conforms to ASTM B633, Type III SC1
- **Hot Dip Galvanized (HD):** Conforms to ASTM A123 or A153
- **Perma-Green (GR):** Conforms to commercial standards for powder coating
- **Perma-Gold (GD):** Conforms to ASTM B633, Type II SC1
- **Plain (BK):** No finish
- 
- 

**Materials & Finishes - Special Metals:**

- **Stainless Steel, Type 304 (SS4):** Conforms to ASTM A240 or A276, Type 304 \*
- **Stainless Steel, Type 316 (SS6):** Conforms to ASTM A240 or A276, Type 316 \*
- **Aluminum (AL):** Conforms to ASTM B209, Type 1100F or 5052-H32 \*



Part No.	A	B	Finish	Product Weight / Piece (lbs)
AS 793 37-1/2	37-1/2°	4-7/8"	EG	1.0
AS 793 45	45°	4-15/16"	EG	1.0
AS 793 52-1/2	52-1/2°	4-15/16"	EG	1.0
AS 793 60	60°	5"	EG	1.0
AS 793 67-1/2	67-1/2°	5-1/16"	EG	1.0
AS 793 75	75°	5-1/16"	EG	1.0
AS 793 82-1/2	82-1/2°	5-1/16"	EG	1.0

