

Rigid Pipe Clamps

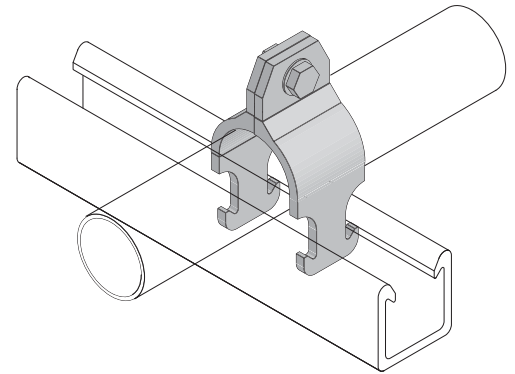
Rigid Pipe Clamps resemble the more traditional style of pipe clamps. These clamps are made from glass-reinforced polyurethane and are sized based on the pipe inside diameter or nominal size.

Polyurethane clamps are recommended for applications up to 160°F. For high temperature applications (up to 230°F), PVDF clamps are available as a special order. Contact the factory for pricing and availability.

Care should be taken not to exceed the recommended torque values of the rigid pipe clamps.

Part Number	Nominal Size (in.)	PVC Sch. 80 and Rigid Metal	Design Loads (lbs.)*		FRP Bolt Size (in.)	FRP Bolt Torque (ft./lbs.)
			Type 1	Type 2		
PCR-050	1/2	0.840	225	90	3/8 x 1 1/4	3
PCR-075	3/4	1.050	225	90	3/8 x 1 1/4	3
PCR-100	1	1.315	225	90	3/8 x 1 1/4	3
PCR-125	1 1/4	1.660	225	90	3/8 x 1 1/4	3
PCR-150	1 1/2	1.900	225	90	3/8 x 1 1/4	3
PCR-200	2	2.375	225	90	3/8 x 1 1/4	3
PCR-250	2 1/2	2.875	225	90	3/8 x 1 1/4	3
PCR-300	3	3.500	225	90	3/8 x 1 1/4	3
PCR-400	4	4.500	300	125	3/8 x 1 1/4	3
PCR-600	6	6.625	300	125	3/8 x 1 1/4	3
PCR-800	8	8.625	300	125	3/8 x 1 1/4	3

*Design loads shown represent a 3:1 safety factor.



Note: Hardware included (1) 375PU-125 and (1) 375PU-000