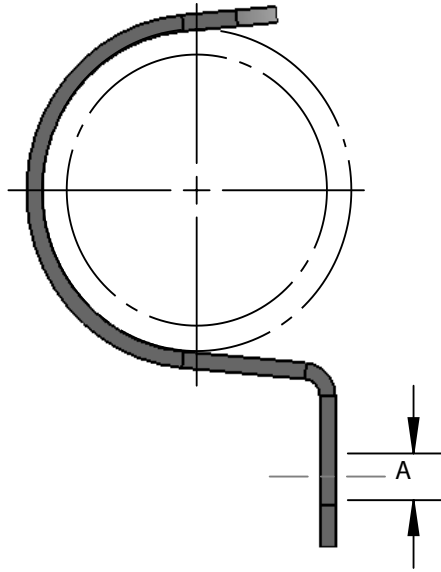


FIG-233

One Hole Pipe Strap



Materials/Finishes:	Electro-Galvanized (EG) <input type="checkbox"/>	T-304 Stainless Steel (SS4) <input type="checkbox"/>
	T-316 Stainless Steel (SS6) <input type="checkbox"/>	
Variants:	T-304 Stainless Steel for OD Sizes: (ODSS4) <input type="checkbox"/>	
	T-316 Stainless Steel for OD Sizes: (ODSS6) <input type="checkbox"/>	
Service:	Designed as a light duty support for schedule 40/80 sized pipe. Attaches directly to horizontal structural member.	
Approvals:	N/A	
Ordering:	Specify figure number finish and pipe or OD size	
Notes:	Stainless steel hangers are recommended for applications where protection from a corrosive environment is required.	

FIG. 233SS4, 233SS6 AND OD SIZES			
PIPE SIZE	PIPE OD	A HOLE SIZE	WGT EACH (lbs)
1/4 OD	0.250	1/4	0.02
1/4	0.540	1/4	0.03
3/8 OD	0.375	1/4	0.03
3/8	0.675	1/4	0.04
1/2 OD	0.500	1/4	0.03
1/2	0.840	1/4	0.04
3/4 OD	0.750	1/4	0.04
3/4	1.050	1/4	0.05
1 OD	1.000	1/4	0.05
1	1.315	1/4	0.06
1-1/4 OD	1.250	3/8	0.14
1-1/4	1.660	3/8	0.18
1-1/2 OD	1.500	3/8	0.16
1-1/2	1.900	3/8	0.19
2 OD	2.000	3/8	0.20
2	2.375	3/8	0.23

FIG. 233			
PIPE SIZE	PIPE OD	A HOLE SIZE	WGT EACH (lbs)
1/4	0.540	9/32	0.02
3/8	0.675	9/32	0.04
1/2	0.840	9/32	0.05
3/4	1.050	9/32	0.06
1	1.315	13/32	0.06
1-1/4	1.660	13/32	0.17
1-1/2	1.900	13/32	0.18
2	2.375	21/32	0.36