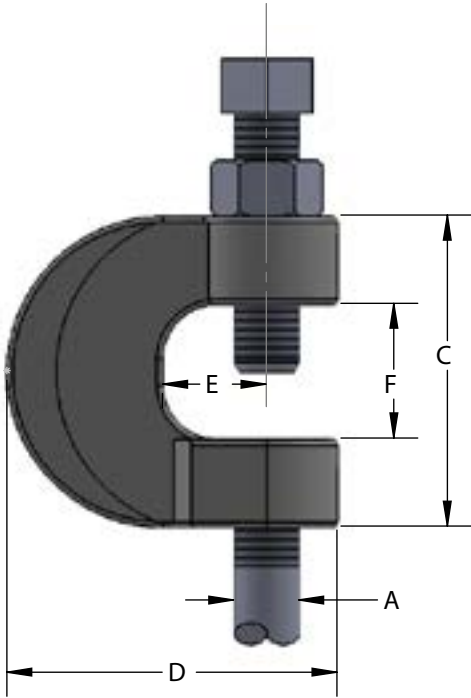


FIG. 23L



Materials/Finishes	Plain Ductile Iron (23LB)	Electro-Galvanized (23LG)
Variants:	N/A	
Service:	Designed for attaching hanger rod to the bottom flange of a beam.	
Approvals:	U.L. - U.L.C. listed and FM approved 3/8 and 1/2 ONLY. Complies with Federal Specification WW-H-171-E (Type# 23), A-A-1192 A (Type# 23) and Manufacturers' Standardization Society MSS SP-58 and SP-69 (Type# 23).	
Ordering:	Specify figure number, finish and rod size.	
Notes:	See MSS SP-69 for proper set screw torque recommendations.	

ROD SIZE A	SET SCREW	C	D	E	F	MAX PIPE SIZE	WGT EACH (lbs)	MAX REC LOAD (lbs)
3/8-16	3/8-16	1-3/4	1-3/4	5/8	3/4	4	0.40	400
1/2-13	3/8-16	1-3/4	1-3/4	5/8	3/4	4	0.39	500
5/8-11	3/8-16	2	2	5/8	3/4	5	0.65	550
3/4-10	3/8-16	2	2	5/8	3/4	6	0.76	630

