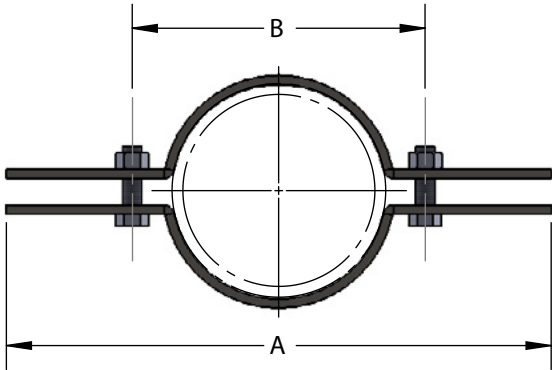


FIG-50

Standard Riser Clamp



Materials/Finishes	Plain Carbon Steel (BK)	Electro-Galvanized (EG)
	Hot-Dip Galvanized (50HD)	
	T-304 Stainless (SS4)	T-316 Stainless (SS6)
Variants:	N/A	
Service:	Designed for supporting and stabilizing vertical pipe runs.	
Approvals:	U.L. - U.L.C. listed (sizes 2" - 8"). Complies with Federal Specification WW-H-171-E (Type# 8), A-A-1192 A (Type# 8) and Manufacturers' Standardization Society MSS SP-58 and SP-69 (Type# 8).	
Ordering:	Specify figure number, finish and pipe size.	
Notes:	Plastic coated riser clamps are completely plastic coated with zinc plated hardware. The plastic coating prevents pipe from coming in contact with the clamp and is designed to reduce noise, vibration and prevent electrolysis between pipe and clamp. Stainless steel riser clamps are recommended for applications where protection from a corrosive environment is required.	

PIPE SIZE (IPS)	PIPE OD	BOLT	A	B	WGT EACH (lbs)	MAX REC LOAD (lbs)
1/2	0.840	3/8	8-5/8	2-1/8	0.88	255
3/4	1.050	3/8	8-13/16	2-5/16	0.92	255
1	1.315	3/8	9-1/16	2-5/8	0.94	255
1-1/4	1.660	3/8	9-7/16	2-15/16	1.00	255
1-1/2	1.900	3/8	10	3-7/16	1.04	255
2	2.375	3/8	10-9/16	4	1.14	300
2-1/2	2.875	3/8	11-1/8	4-9/16	1.60	400
3	3.500	3/8	11-13/16	5-1/4	1.70	530
3-1/2	4.000	1/2	12-3/4	5-3/4	2.06	670
4	4.500	1/2	13-5/8	6-5/8	2.20	810
5	5.563	1/2	14-1/8	7-5/8	3.40	1500
6	6.625	1/2	15-3/8	8-7/8	3.72	1600
8	8.625	5/8	18-5/8	12	7.22	2500
10	10.750	5/8	21-1/4	14-3/4	10.94	2500
12	12.750	5/8	22-3/4	16-3/4	16.10	2700
14	14.000	5/8	24	17-7/8	17.00	2700
16	16.000	3/4	26	21	29.16	2900
18	18.000	3/4	28	23	32.40	2900
20	20.000	3/4	30	25	35.00	2900
24	24.000	7/8	36	29-1/4	43.00	2900
30	30.000	7/8	42	35-1/4	95.00	2900