



MIROC

**Telecommunication
Accessories**

MIROC

Adapters

Angle Adapters	1
Stand-Off Adapters	2
Clamp Heads	4
Clamp Head Hose Clamp Assemblies	4
Cushion Hangers	4
Hose Clamps	5
Quick Release Hose Clamps	5
Three Way Stand-Off Adapters	5

Banding

Hook and Loop Rolls	6
Hook and Loop Tie Wrap	6
Cable Ties	6
Acetal Banding Tool	7/44
Acetal Banding	7/44
Acetal Banding Locking Heads	7/44
Banding Tool	8
Stainless Steel Banding	8
Stainless Steel Banding Buckles	8

Cable Support

Butterfly Hangers	3
Snap-In Hangers	3
Snap Blocks	9
PIM Mitigation Snap Blocks	9/41
Metric Blocks	10
Coax Blocks	10
Universal Hanger Inserts	11
Single Hole Hanger Inserts	11
Wide Range Universal Hanger Inserts	12
Multi Hole Hanger Inserts	12

Cable Entry

Entry Boots	13
Entry Boot Cushions	14
Cushion Plugs	14
Entry Panel Caps	15
4" Entry Panels	15
5" Entry Panels	16

Grounding

Universal Buss Bars	17
Standard Buss Bars	18
Blank Buss Bars	19
Custom Buss Bars	19
Equipment Rack Buss Bars	20
Complete Buss Bar Kits	20

Buss Bar Mounting Hardware	21
Equipment Rack Hardware	22
Buss Bar Protective Cover	22
Standard Ground Kit	23
Universal Ground Kit	23
Snap-On Ground Kit	24
Mini Universal Ground Kit	24
Compression Splices	25
#14-#10 Ground Lugs	25
#8 Ground Lugs	26
#6 Ground Lugs	27
#4 Ground Lugs	28
#2 Ground Lugs	28-29
#1 Ground Lugs	30
1/0 Ground Lugs	30
2/0 Ground Lugs	31
4/0 Ground Lugs	31
500 Ground Lugs	32
Lug Bond Washers	32

Heat Shrink

Heat Shrink Sticks	33
Heat Shrink Rolls	34

Hoisting Grips

Hoisting Grips	35
Fiber Hoisting Grips	36/43

Jumpers & Loads

4.3-10 Termination Loads	37
N-Connector Termination Loads	37
7/16 Termination Loads	38
End Caps	38
RET Cables	39

PIM Mitigation

PIM Mitigation Snap Blocks	41
PIM Mitigation Adapters	42
Fiber Hoisting Grips	36/43
Cable Ties	44
Acetal Banding Tool	7/44
Acetal Banding Locking Heads	7/44
Acetal Banding	7/44

Shelter Accessories

Color Tape	45
Weatherproofing	45
Fish Paper	46
Wax String	46
Identification Tags	46

Universal Rack Stabilizer

Universal Equipment Rack Stabilizer	47
---	----

Steel Components

Double Post Support Bracket	49
Single Post Support Bracket	49
Grip Strut Safety Grating	49
Bracket Kits	50
Bridge Posts	51
Mast Pipe	51
Pipe to Pipe Clamps	51
U-Bolts	52
Crossover Plates	52
T-Bracket Mount	52
Non Penetrating Roof Mount	53
H-Frame	53
12" Bridge Kits	54
24" Bridge Kits	54

Strut

Strut	55
-------------	----

Strut Accessories

Strut End Caps	55
Spring Nuts	55
Square Washers	56

Hardware

Hex Lag Bolts	56
Lag Shields	56
Wedge Anchors	56
Fender Washers	57
Lock Washers	57
Flat Washers	57
Toothed Washers	57
Hex Nuts	58
Hex Bolts	58
Adapter Hardware	58
Stainless Steel Threaded Rod	59
Galvanized Threaded Rod	59
Threaded Rod Mounting Bracket	59
Stainless Steel Threaded Rod Kits	60
Galvanized Threaded Rod Kits	60
Threaded Rod Caps	60

References

Cushion Hole configuration	61
Hanger Insert Hole Configurations	61-62
U-Bolt Dimensions	63
Entry Panel Dimensions	63
Measurement Conversion Chart	64
MIROC Lug Reference	64

Angle Adapters



Angle Adapters provide an excellent attachment point to both angle and flat members. Available with 3/8" tapped mounting holes or 3/4" thru holes for snap-ins.

- Available in stainless steel and galvanized
- 3/8" Tapped holes and 3/4" thru holes
- 1" jaw opening

Stainless Steel Angle Adapters		
PART #	DESCRIPTION	QTY
AAS38	3/8" Tapped Hole	1 Pack of 10
AASSI	3/4" Thru Hole (Insert Included)	1 Pack of 10
AASS	3/4" Thru Hole	1 Pack of 10

Galvanized Angle Adapters		
PART #	DESCRIPTION	QTY
AAG38	3/8" Tapped Hole	1 Pack of 10
AAGSI	3/4" Thru Hole (Insert Included)	1 Pack of 10
AAGS	3/4" Thru Hole	1 Pack of 10



Stand-Off Adapters

Stand-Off Adapters provide an attachment point to 1" and larger round members. Slotted holes accommodate 1/2" banding or hose clamps.



- Available in stainless steel and galvanized
- 3/8" Tapped holes and 3/4" thru holes
- Compatible with 1/2" banding

*Hose clamps not included. See page 5 for hose clamps

Stainless Steel Stand-Off Adapters		
PART #	DESCRIPTION	QTY
SOS38	3/8" Tapped Hole*	1 Pack of 10
SOS381020	3/8" Tapped Hole, 1" - 2" OD Members	1 Pack of 10
SOS382030	3/8" Tapped Hole, 2" - 3" OD Members	1 Pack of 10
SOS383050	3/8" Tapped Hole, 3" - 5" OD Members	1 Pack of 10
SOS385060	3/8" Tapped Hole, 5" - 6" OD Members	1 Pack of 10
SOSSI	3/4" Thru Hole (w/insert)*	1 Pack of 10
SOSSI2030	3/4" Thru Hole (w/insert) 2" - 3" OD Members	1 Pack of 10
SOSSI3050	3/4" Thru Hole (w/insert) 3" - 5" OD Members	1 Pack of 10
SOSSI5060	3/4" Thru Hole (w/insert) 5" - 6" OD Members	1 Pack of 10
SOSS	3/4" Thru Hole*	1 Pack of 10
SOSS2030	3/4" Thru Hole, 2" - 3" OD Members	1 Pack of 10
SOSS3050	3/4" Thru Hole, 3" - 5" OD Members	1 Pack of 10
SOSS5060	3/4" Thru Hole, 5" - 6" OD Members	1 Pack of 10

Galvanized Stand-Off Adapters		
PART #	DESCRIPTION	QTY
SOG38	3/8" Tapped Hole*	1 Pack of 10
SOG381020	3/8" Tapped Hole, 1" - 2" OD Members	1 Pack of 10
SOG382030	3/8" Tapped Hole, 2" - 3" OD Members	1 Pack of 10
SOG383050	3/8" Tapped Hole, 3" - 5" OD Members	1 Pack of 10
SOG385060	3/8" Tapped Hole, 5" - 6" OD Members	1 Pack of 10
SOGSI	3/4" Thru Hole (w/insert) *	1 Pack of 10
SOGSI2030	3/4" Thru Hole (w/insert) 2" - 3" OD Members	1 Pack of 10
SOGSI3050	3/4" Thru Hole (w/insert) 3" - 5" OD Members	1 Pack of 10
SOGSI5060	3/4" Thru Hole (w/insert) 5" - 6" OD Members	1 Pack of 10
SOGS	3/4" Thru Hole*	1 Pack of 10
SOGS2030	3/4" Thru Hole, 2" - 3" OD Members	1 Pack of 10
SOGS3050	3/4" Thru Hole, 3" - 5" OD Members	1 Pack of 10
SOGS5060	3/4" Thru Hole, 5" - 6" OD Members	1 Pack of 10

Butterfly Hangers



Butterfly Hangers provide a versatile means of attaching different types of cables to a variety of support members.

- Manufactured from 304 Stainless Steel
- Compatible with corrugated, smooth wall coax and elliptical waveguide
- 3/8" mounting hardware (optional)

Butterfly Hangers		
PART #	DESCRIPTION	QTY
BC3812	3/8" to 1/2" Coaxial Cable	1 Pack of 10
BC3812NH	3/8" to 1/2" Coaxial Cable (no hardware)	1 Pack of 10
BC78	7/8" Coaxial Cable	1 Pack of 10
BC78NH	7/8" Coaxial Cable (no hardware)	1 Pack of 10
BC114	1-1/4" Coaxial Cable	1 Pack of 10
BC114NH	1-1/4" Coaxial Cable (no hardware)	1 Pack of 10
BC158	1-5/8" Coaxial Cable	1 Pack of 10
BC158NH	1-5/8" Coaxial Cable (no hardware)	1 Pack of 10
BC214	2-1/4" Coaxial Cable	1 Pack of 10
BC214NH	2-1/4" Coaxial Cable (no hardware)	1 Pack of 10

Snap-In Hangers

Flexible internal support fingers allow the Snap-In Hangers to be compatible with all brands of coaxial cables.

- Manufactured from 304 Stainless Steel
- Special installation tool not required
- Internal support fingers absorb tower vibration



Snap-In Hangers		
PART #	DESCRIPTION	QTY
SH12	Snap-In Hanger for 1/2" Cable and Hanger Insert	1 Pack of 10
SH58	Snap-In Hanger for 5/8" Cable and Hanger Insert	1 Pack of 10
SH78	Snap-In Hanger for 7/8" Cable and Hanger Insert	1 Pack of 10
SH114	Snap-In Hanger for 1-1/4" Cable and Hanger Insert	1 Pack of 10
SH158	Snap-In Hanger for 1-5/8" Cable and Hanger Insert	1 Pack of 10
SH214	Snap-In Hanger for 2-1/4" Cable and Hanger Insert	1 Pack of 10

Clamp Heads

Clamp Heads provide a versatile means to attach a variety of cable support products to round members.

- Compatible with hose clamps and 1/2" banding
- For use with 3/8" and 10 mm threaded rod
- Manufactured from 304 stainless steel

Clamp Heads		
PART #	DESCRIPTION	QTY
CPHD	Clamp Head	1 Pack of 10



Clamp Head Hose Clamp Assemblies

Hose Clamp Kits		
PART #	DESCRIPTION	QTY
CPHD1020	Clamp Head With 1"-2" Hose Clamp	1 Pack of 10
CPHD2030	Clamp Head With 2"-3" Hose Clamp	1 Pack of 10
CPHD3050	Clamp Head With 3"-5" Hose Clamp	1 Pack of 10
CPHD5060	Clamp Head With 5"-6" Hose Clamp	1 Pack of 10
CPHD6010	Clamp Head With 6"-10" Hose Clamp	1 Pack of 10
CPHD1016	Clamp Head With 10"-16" Hose Clamp	1 Pack of 10



Cushion Hanger

Cushion Hangers		
PART #	DESCRIPTION	QTY
CH381	1 Hole for 3/8" Coaxial Cable	1 Pack of 5
CH383	3 Holes for 3/8" Coaxial Cable	1 Pack of 5
CH389	9 Holes for 3/8" Coaxial Cable	1 Pack of 5
CH121	1 Hole for 1/2" Coaxial Cable	1 Pack of 5
CH122	2 Holes for 1/2" Coaxial Cable	1 Pack of 5
CH123	3 Holes for 1/2" Coaxial Cable	1 Pack of 5
CH124	4 Holes for 1/2" Coaxial Cable	1 Pack of 5
CH125	5 Holes for 1/2" Coaxial Cable	1 Pack of 5
CH781	1 Hole for 7/8" Coaxial Cable	1 Pack of 5
CH782	2 Holes for 7/8" Coaxial Cable	1 Pack of 5
CH783	3 Holes for 7/8" Coaxial Cable	1 Pack of 5
CH784	4 Holes for 7/8" Coaxial Cable	1 Pack of 5
CH1141	1 Hole for 1-1/4" Coaxial Cable	1 Pack of 5
CH1581	1 Hole for 1-5/8" Coaxial Cable	1 Pack of 5
CH2141	1 Hole for 2-1/4" Coaxial Cable	1 Pack of 5

Cushion Hangers are ideal for supporting coaxial cable and elliptical waveguide. Custom hole configurations available upon request.

- Elliptical waveguide sizes available
- Supports multiple runs of cable
- Kit includes hose clamp and clamp head
- Sold in kits of 5



Hose Clamps

Hose Clamps can be used to attach Stand-Off Adapters, Butterfly Hangers, Cushion Hangers, Angle Adapters and Clamp Heads directly to round members.

- All components manufactured from 304 stainless steel
- Other sizes available



Hose Clamp Kits		
PART #	DESCRIPTION	QTY
HCK1020	1"-2" OD Members	1 Pack of 10
HCK2030	2"-3" OD Members	1 Pack of 10
HCK3050	3"-5" OD Members	1 Pack of 10
HCK5060	5"-6" OD Members	1 Pack of 10
HCK6010	6"-10" OD Members	1 Pack of 10
HCK1016	10"-16" OD Members	1 Pack of 10

Quick Release Hose Clamp

Reusable quick release hose clamp.

- Manufactured from 304 stainless steel
- Other sizes available



Hose Clamp Kits		
PART #	DESCRIPTION	QTY
HCQ26	2.0" - 6.7" OD Members (50mm - 170mm)	1 Pack of 10
HCQ6511	6.5" - 11.0" OD Members (165mm- 280mm)	1 Pack of 10

3 Way Stand-Off Adapters

Supports 3 Snap-in Hangers. Available with or without Hose Clamps.

- Can be used with 3/8" mounting hardware, with 1/2" banding or hose clamps
- Manufactured from 304 stainless steel



Three Way Stand-Off Adapters		
PART #	DESCRIPTION	QTY
SOS3S	Three Way Stand-Off*	1 Pack of 10
SOS3S1020	Three Way Stand-Off Adapter for 1" - 2"	1 Pack of 10
SOS3S2030	Three Way Stand-Off Adapter for 2" - 3"	1 Pack of 10
SOS3S3050	Three Way Stand-Off Adapter for 3" - 5"	1 Pack of 10
SOS3S5060	Three Way Stand-Off Adapter for 5" - 6"	1 Pack of 10

*Hose clamps not included.

Hook & Loop Rolls

Hook and loop rolls are sold in 1/2" and 3/4" widths. Rolls can be cut to desired lengths. Great for wire management and securing fiber optic cables.



Hooks & Loop Rolls		
PART #	DESCRIPTION	QTY
HLBLK1275	Hook & Loop, 1/2" x 75' Roll	1 Roll
HLBLK3475	Hook & Loop, 3/4" x 75' Roll	1 Roll

Hook & Loop Tie Wraps

Hook and loop tie wraps are pre-cut to variety of lengths and include secure loop for easy use. Great for wire management and securing fiber optic cables.



Tie Wrap Hook & Loops		
PART #	DESCRIPTION	QTY
TWHLBLK128	Tie Wrap Hook & Loop, Black, 1/2" x 8"	1 Pack of 100
TWHLBLK1212	Tie Wrap Hook & Loop, Black, 1/2" x 12"	1 Pack of 100
TWHLBLK348	Tie Wrap Hook & Loop, Black, 3/4" x 8"	1 Pack of 100
TWHLBLK3412	Tie Wrap Hook & Loop, black, 3/4" x 12"	1 Pack of 100

Cable Ties



Cable Ties		
PART #	DESCRIPTION	KIT QTY
TWB450	Black UV Rated 50 lbs. Cable Tie 4"	1 Pack of 50
TWB850	Black UV Rated 50 lbs. Cable Tie 8"	1 Pack of 50
TWB8100	Black UV Rated 50 lbs. Cable Tie 8"	1 Pack of 100
TWB1450	Black UV Rated 120 lbs. Cable Tie 14"	1 Pack of 50
TWB14100	Black UV Rated 120 lbs. Cable Tie 14"	1 Pack of 100

Acetal Banding Tool

Acetal banding installation tool



Banding Tool		
PART #	DESCRIPTION	QTY
BNDATool	Acetal Banding Installation Tool	1 Tool

Acetal Banding

Packaged in convenient 50' Rolls.



Acetal Banding		
PART #	DESCRIPTION	QTY
BNDA1250	Acetal Banding, 1/2" x 50' Roll	1 Roll

Acetal Banding Locking Heads

Conveniently sold in individual qty or 25, 50 and 100 packs



Acetal Banding Locking Heads		
PART #	DESCRIPTION	QTY
BNDALH	Locking Head for 1/2" Acetal Banding (Single)	1 Locking Head
BNDALH-25	Locking Head for 1/2" Acetal Banding (25Pack)	1 Pack of 25
BNDALH-50	Locking Head for 1/2" Acetal Banding (50 Pack)	1 Pack of 50
BNDALH-100	Locking Head for 1/2" Acetal Banding (100 Pack)	1 Pack of 100

Stainless Steel Banding Tool

Stainless steel & cast iron construction standard duty banding tool.



- 2400lb Tension capacity
- Band widths of 1/4" - 3/4"
- Built-in banding cutter

Banding Tool		
PART #	DESCRIPTION	QTY
BNDTool	1/4" - 3/4" Banding Tool	1 Tool

Stainless Steel Banding

Packaged in convenient 100' Rolls.



- Manufactured from 304 Stainless Steel
- Sold in red plastic tote dispenser

Stainless Steel Banding		
PART #	DESCRIPTION	QTY
BNDS12100	Stainless Steel Banding, 1/2" x 100' Roll	1 Roll
BNDS34100	Stainless Steel Banding, 3/4" x 100' Roll	1 Roll

Stainless Steel Banding Buckles

Conveniently sold in 50 and 100 packs



- Secured with a tooth and ear design
- Manufactured from 304 Stainless Steel

Stainless Steel Banding Buckles		
PART #	DESCRIPTION	QTY
BNDSBKL1250	1/2" Banding Buckle, Stainless Steel	1 Pack of 50
BNDSBKL12100	1/2" Banding Buckle, Stainless Steel	1 Pack of 100
BNDSBKL3450	3/4" Banding Buckle, Stainless Steel	1 Pack of 50
BNDSBKL34100	3/4" Banding Buckle, Stainless Steel	1 Pack of 100

Snap Blocks

Snap Blocks easily snap into 3/4" ID mounting holes providing a solid base which reduces lateral movement. Blocks are stackable and re-adjustable.

- Manufactured from weather resistant polypropylene
- Insert manufactured from 304 Stainless Steel
- Reduces installation time
- US Patent No. 7,484,698



Snap Blocks		
PART #	DESCRIPTION	QTY
SBD12	Snap Block for 1/2" Coaxial Cable, Double Run	1 Pack of 10
SBD78	Snap Block for 7/8" Coaxial Cable, Double Run	1 Pack of 10
SBD114	Snap Block for 1-1/4" Coaxial Cable, Double Run	1 Pack of 10
SBD158	Snap Block for 1-5/8" Coaxial Cable, Double Run	1 Pack of 10

PIM Mitigation Snap-in Double Blocks

Snap Blocks easily snap into 3/4" ID mounting holes, providing cable support while eliminating a common source of PIM. PIM Blocks are stackable and re-adjustable.

- Manufactured from weather resistant polypropylene
- Insert manufactured from POM6
- US Patent No. 7,484,698



PIM Mitigation Snap Blocks		
PART #	DESCRIPTION	QTY
SBDM58PIM	PIM Mitigation Snap-in Double Block 5mm-8mm Cable	1 Pack of 10
SBDM812PIM	PIM Mitigation Snap-in Double Block 8mm-12mm Cable	1 Pack of 10
SBDM1216PIM	PIM Mitigation Snap-in Double Block 12mm-16mm Cable (1/2" Flex and 1/2" Standard Coax)	1 Pack of 10

PIM Mitigation Snap-in Single Blocks

Snap Blocks easily snap into 3/4" ID mounting holes, providing cable support while eliminating a common source of PIM. PIM Blocks are stackable and re-adjustable.

- Manufactured from weather resistant polypropylene
- Manufactured from POM6
- Patent Pending



PIM Mitigation Snap Blocks		
PART #	DESCRIPTION	QTY
SBSM58PIM	PIM Mitigation Snap-in Single Block 5mm-8mm Cable	1 Pack of 10
SBSM812PIM	PIM Mitigation Snap-in Single Block 8mm-12mm Cable	1 Pack of 10
SBSM1216PIM	PIM Mitigation Snap-in Single Block 12mm-16mm Cable (1/2" Flex and 1/2" Standard Coax)	1 Pack of 10

Metric Blocks

The Metric Blocks unique design allows them to support a range of cable diameters. Compatible with 3/8" or 10mm mounting hardware.

- Manufactured from weather resistant polypropylene
- Accommodates 3/8" and 10mm Hardware
- Ideal for electrical wire or fiber cable



Metric Blocks		
PART #	DESCRIPTION	QTY
BDM58	Double Block for 5mm to 8mm OD cable	1 Pack of 10
BDM812	Double Block for 8mm to 12mm OD cable	1 Pack of 10
BDM1216	Double Block for 12mm to 16mm OD cable	1 Pack of 10

Coax Blocks



Coax Blocks are available in both single and double run designs. The robust design allows up to 6 runs of cable to be supported in one compact bundle.

- Weather-resistant polypropylene
- Interior gripping teeth
- Exterior alignment ridges

Single Run Coax Blocks		
PART #	DESCRIPTION	QTY
BS12	Block for 1/2" Coaxial Cable, Single Run	1 Pack of 10
BS58	Block for 5/8" Coaxial Cable, Single Run	1 Pack of 10
BS78	Block for 7/8" Coaxial Cable, Single Run	1 Pack of 10
BS114	Block for 1-1/4" Coaxial Cable, Single Run	1 Pack of 10
BS158	Block for 1-5/8" Coaxial Cable, Single Run	1 Pack of 10
BS214	Block for 2-1/4" Coaxial Cable, Single Run	1 Pack of 10

Double Run Coax Blocks		
PART #	DESCRIPTION	QTY
BD12	Block for 1/2" Coaxial Cable, Double Run	1 Pack of 10
BD58	Block for 5/8" Coaxial Cable, Double Run	1 Pack of 10
BD78	Block for 7/8" Coaxial Cable, Double Run	1 Pack of 10
BD114	Block for 1-1/4" Coaxial Cable, Double Run	1 Pack of 10
BD158	Block for 1-5/8" Coaxial Cable, Double Run	1 Pack of 10
BD214	Block for 2-1/4" Coaxial Cable, Double Run	1 Pack of 10

Universal Hanger Inserts

Our 8 different flexible rib design inserts will accommodate up to a 4mm-40mm OD cable. Manufactured from UV resistant EPDM rubber.

- Flexible support ribs
- Manufactured from UV resistant EPDM rubber
- Compatible with standard coaxial cable support products
- US Patent No. 9,407,078



NOTE: For hole configurations see page 61

Universal Hanger Inserts			
PART #	DESCRIPTION	HANGER SIZE	QTY
HI0410	Insert for 4mm-10mm (0.16"-0.39") OD Cable	1/2"	1 Pack of 10
HI0613	Insert for 6mm-13mm (0.24"-0.51") OD Cable	7/8"	1 Pack of 10
HI1318	Insert for 13mm-18mm (0.51"-0.71") OD Cable	7/8"	1 Pack of 10
HI1020	Insert for 10mm-20mm (0.39"-0.79") OD Cable	1-1/4"	1 Pack of 10
HI0613-3	Insert for 3 x 6mm - 13mm (3 x 0.24" - 0.51") OD Cable	1-5/8"	1 Pack of 10
HI1722	Insert for 17mm-22mm (0.67"-0.87") OD Cable	1-5/8"	1 Pack of 10
HI2231	Insert for 22mm-31mm (0.87"-1.22") OD Cable	1-5/8"	1 Pack of 10
HI3040	Insert for 30mm-40mm (1.18"-1.58") OD Cable	2-1/4"	1 Pack of 10

Single Hole Hanger Inserts

Manufactured from UV resistant EPDM rubber. Single hole Hanger Inserts are designed to support a variety of cable sizes.

- Manufactured from UV resistant EPDM rubber
- Compatible with standard coaxial cable support products
- Custom hole configurations available upon request



NOTE: For hole configurations see page 62

Single Hole Hanger Inserts			
PART #	DESCRIPTION	HANGER SIZE	QTY
HI171	Hanger Insert (1) x 17mm (1 x 0.67")	7/8"	1 Pack of 10
HI201	Hanger Insert (1) x 20mm (1 x 0.79")	7/8"	1 Pack of 10
HI241	Hanger Insert (1) x 24mm (1 x 0.94")	1-1/4"	1 Pack of 10
HI261	Hanger Insert (1) x 26mm (1 x 1.02")	1-1/4"	1 Pack of 10
HI301	Hanger Insert (1) x 30mm (1 x 1.18")	1-5/8"	1 Pack of 10
HI331	Hanger Insert (1) x 33mm (1 x 1.29")	1-5/8"	1 Pack of 10
HI361	Hanger Insert (1) x 36mm (1 x 1.41")	1-5/8"	1 Pack of 10
HI401	Hanger Insert (1) x 40mm (1 x 1.57")	1-5/8"	1 Pack of 10
HI431	Hanger Insert (1) x 43mm (1 x 1.70")	1-5/8"	1 Pack of 10

Wide Range Universal Hanger Inserts

Our 4 different flexible rib design inserts will accommodate up to 4mm – 45mm OD cable. Each insert provides a wider range of cable OD's and hanger inserts.

- Flexible support ribs
- Manufactured from UV resistant EPDM rubber
- Compatible with standard coaxial cable support products
- US Patent No. 9,407,078



NOTE: For hole configurations see page 62

Wide Range Universal Hanger Inserts			
PART #	Description	Hanger Size	QTY
HIU415	Insert for 4mm-15mm (0.16"-0.59") OD Cable	7/8"	1 Pack of 10
HIU1425	Insert for 14mm-25mm (0.55"-0.98") OD Cable	1-1/4"	1 Pack of 10
HIU2036	Insert for 20mm-36mm (0.78"-1.41") OD Cable	1-5/8"	1 Pack of 10
HIU2545	Insert for 25mm-45mm (0.98"-1.77") OD Cable	2-1/4"	1 Pack of 10

Multi Hole Hanger Inserts

Manufactured from UV resistant EPDM rubber. Multi Hole Hanger Inserts are designed to support a variety of cable sizes and combinations.

- Compatible with standard coaxial cable support products
- Custom hole configurations available upon request



NOTE: For hole configurations see page 62

Multi Hole Hanger Inserts			
PART #	DESCRIPTION	HANGER SIZE	QTY
HI11271	(2) x 11mm & (1) x 7mm (2 x 0.43" & 1 x 0.28")	7/8"	1 Pack of 10
HI14271	(2) x 14mm & (1) x 7mm (2 x 0.55" & 1 x 0.28")	7/8"	1 Pack of 10
HI10272	(2) x 10mm & (2) x 7mm (2 x 0.39" & 2 x 0.28")	1-1/4"	1 Pack of 10
HI13272	(2) x 13mm & (2) x 7mm (2 x 0.51" & 2 x 0.28")	1-1/4"	1 Pack of 10
HI233571	(1) 23mm-35mm & (1) 7mm (1 x 0.90"-1.38" & 1 x 0.28")	1-5/8"	1 Pack of 10
HI241101	(1) x 24mm & (1) x 10mm (1 x 0.94" & 1 x 0.39")	1-5/8"	1 Pack of 10
HI11474	(4) x 11mm & (4) x 7mm (4 x 0.43" & 4 x 0.28")	1-5/8"	1 Pack of 10
HI202101	(2) x 20mm & (1) x 10mm (2 x 0.79" & 1 x 0.39")	1-5/8"	1 Pack of 10
HI6810121426	6, 8, 10, 12, 14 & 26mm (1x 0.24", 1x 0.31" 1x 0.39", 1x 0.47" 1x 0.55", 1x 1.02")	1-5/8"	1 Pack of 10
HI114162	(4) x 11mm & (2) x 16mm (4 x 0.43" & 2 x 0.63")	1-5/8"	1 Pack of 10
HI15274	(2) x 15mm & (4) x 7mm (2 x 0.59" & 4 x 0.28")	1-5/8"	1 Pack of 10
HI117	(7) x 11mm (7 x 0.43")	1-5/8"	1 Pack of 10
HI202	(2) x 20mm (2 x 0.79")	1-5/8"	1 Pack of 10
HI164	(4) x 16mm (4 x 0.63")	1-5/8"	1 Pack of 10

Entry Boots



Available in both 4" and 5" sizes. Compatible with all standard entry boot cushions.

- Manufactured from UV resistant EPDM rubber
- Seals against moisture and dust ingress
- Custom insert cushions available

4" Entry Boot Kits		
PART #	DESCRIPTION	QTY
EB400	4" Entry Boot (Cushion Not Included)	1 Boot
EB4381	4" Cushion 1 Hole for 3/8" OD Cable	1 Boot Assembly
EB4383	4" Cushion 3 Holes for 3/8" OD Cable	1 Boot Assembly
EB4384	4" Cushion 4 Holes for 3/8" OD Cable	1 Boot Assembly
EB4385	4" Cushion 5 Holes for 3/8" OD Cable	1 Boot Assembly
EB4389	4" Cushion 9 Holes for 3/8" OD Cable	1 Boot Assembly
EB4121	4" Cushion 1 Hole for 1/2" OD Cable	1 Boot Assembly
EB4122	4" Cushion 2 Holes for 1/2" OD Cable	1 Boot Assembly
EB4123	4" Cushion 3 Holes for 1/2" OD Cable	1 Boot Assembly
EB4124	4" Cushion 4 Holes for 1/2" OD Cable	1 Boot Assembly
EB4125	4" Cushion 5 Holes for 1/2" OD Cable	1 Boot Assembly
EB4129	4" Cushion 9 Holes for 1/2" OD Cable	1 Boot Assembly
EB4581	4" Cushion 1 Hole for 5/8" OD Cable	1 Boot Assembly
EB4582	4" Cushion 2 Hole for 5/8" OD Cable	1 Boot Assembly
EB4583	4" Cushion 3 Hole for 5/8" OD Cable	1 Boot Assembly
EB4781	4" Cushion 1 Hole for 7/8" OD Cable	1 Boot Assembly
EB4782	4" Cushion 2 Holes for 7/8" OD Cable	1 Boot Assembly
EB4783	4" Cushion 3 Holes for 7/8" OD Cable	1 Boot Assembly
EB4784	4" Cushion 4 Holes for 7/8" OD Cable	1 Boot Assembly
EB41141	4" Cushion 1 Hole for 1-1/4" OD Cable	1 Boot Assembly
EB41581	4" Cushion 1 Hole for 1-5/8" OD Cable	1 Boot Assembly
EB42141	4" Cushion 1 Hole for 2-1/4" OD Cable	1 Boot Assembly

5" Entry Boot Kits		
PART #	DESCRIPTION	QTY
EB500	5" Entry Boot (Cushion Not Included)	1 Boot
EB5381	5" Cushion 1 Hole for 3/8" OD Cable	1 Boot Assembly
EB5383	5" Cushion 3 Holes for 3/8" OD Cable	1 Boot Assembly
EB5384	5" Cushion 4 Holes for 3/8" OD Cable	1 Boot Assembly
EB5385	5" Cushion 5 Holes for 3/8" OD Cable	1 Boot Assembly
EB5389	5" Cushion 9 Holes for 3/8" OD Cable	1 Boot Assembly
EB5121	5" Cushion 1 Hole for 1/2" OD Cable	1 Boot Assembly
EB5122	5" Cushion 2 Holes for 1/2" OD Cable	1 Boot Assembly
EB5123	5" Cushion 3 Holes for 1/2" OD Cable	1 Boot Assembly
EB5124	5" Cushion 4 Holes for 1/2" OD Cable	1 Boot Assembly
EB5125	5" Cushion 5 Holes for 1/2" OD Cable	1 Boot Assembly
EB5129	5" Cushion 9 Holes for 1/2" OD Cable	1 Boot Assembly
EB5581	5" Cushion 1 Hole for 5/8" OD Cable	1 Boot Assembly
EB5582	5" Cushion 2 Hole for 5/8" OD Cable	1 Boot Assembly
EB5583	5" Cushion 3 Hole for 5/8" OD Cable	1 Boot Assembly
EB5781	5" Cushion 1 Hole for 7/8" OD Cable	1 Boot Assembly
EB5782	5" Cushion 2 Holes for 7/8" OD Cable	1 Boot Assembly
EB5783	5" Cushion 3 Holes for 7/8" OD Cable	1 Boot Assembly
EB5784	5" Cushion 4 Holes for 7/8" OD Cable	1 Boot Assembly
EB51141	5" Cushion 1 Hole for 1-1/4" OD Cable	1 Boot Assembly
EB51581	5" Cushion 1 Hole for 1-5/8" OD Cable	1 Boot Assembly
EB52141	5" Cushion 1 Hole for 2-1/4" OD Cable	1 Boot Assembly

NOTE: Cushion hole configurations see page 61

Entry Boot Cushions

Entry Boot Cushions can be combined with 4" or 5" boots to create boot assemblies or with round member adapters to create cushion hangers.



- For use with 4" and 5" Entry Boots
- Custom sizes available
- Manufactured from UV resistant EPDM rubber

Entry Boot Cushion		
PART #	DESCRIPTION	QTY
EBCB	Blank Entry Boot Cushion	1 Cushion
EBC381	1 Hole for 3/8" OD Cable	1 Cushion
EBC383	3 Holes for 3/8" OD Cable	1 Cushion
EBC384	4 Holes for 3/8" OD Cable	1 Cushion
EBC385	5 Holes for 3/8" OD Cable	1 Cushion
EBC389	9 Holes for 3/8" OD Cable	1 Cushion
EBC121	1 Hole for 1/2" OD Cable	1 Cushion
EBC122	2 Holes for 1/2" OD Cable	1 Cushion
EBC123	3 Holes for 1/2" OD Cable	1 Cushion
EBC124	4 Holes for 1/2" OD Cable	1 Cushion
EBC125	5 Holes for 1/2" OD Cable	1 Cushion

Entry Boot Cushion		
PART #	DESCRIPTION	QTY
EBC129	9 Holes for 1/2" OD Cable	1 Cushion
EBC581	1 Hole for 5/8" OD Cable	1 Cushion
EBC582	2 Hole for 5/8" OD Cable	1 Cushion
EBC583	3 Hole for 5/8" OD Cable	1 Cushion
EBC781	1 Hole for 7/8" OD Cable	1 Cushion
EBC782	2 Holes for 7/8" OD Cable	1 Cushion
EBC783	3 Holes for 7/8" OD Cable	1 Cushion
EBC784	4 Holes for 7/8" OD Cable	1 Cushion
EBC1141	1 Hole for 1-1/4" OD Cable	1 Cushion
EBC1581	1 Hole for 1-5/8" OD Cable	1 Cushion
EBC2141	1 Hole for 2-1/4" OD Cable	1 Cushion

Elliptical Waveguide Cushions		
PART #	DESCRIPTION	QTY
EBCE52601	Elliptical Waveguide Cushion 1 Hole, EW52/E60	1 Cushion
EBCE63651	Elliptical Waveguide Cushion 1 Hole, EW63/E65	1 Cushion
EBCE901051	Elliptical Waveguide Cushion 1 Hole, EW90/E105	1 Cushion
EBCE1801851	Elliptical Waveguide Cushion 1 Hole, EW180/E185	1 Cushion

Cushion Plugs

Cushion plugs seal unused holes in entry boot cushions.



- Manufactured from UV resistant EPDM rubber

Cushion Plugs		
PART #	DESCRIPTION	QTY
CP38	3/8" Cushion Plug	1 Pack of 5
CP12	1/2" Cushion Plug	1 Pack of 5
CP78	7/8" Cushion Plug	1 Pack of 5
CP114	1-1/4" Cushion Plug	1 Pack of 5
CP158	1-5/8" Cushion Plug	1 Pack of 5

Entry Panel Caps



Entry Panel Caps		
PART #	DESCRIPTION	QTY
EC400	4" Entry Port Cover	1 Cap
EC500	5" Entry Port Cover	1 Cap

Entry Panels

4" Entry Panels create an excellent seal against moisture while providing a support point for cable entering radio cabinets or shelters.

- Entry caps included
- Mounting hardware included
- Provides effective seal against the ingress of dust and moisture when used with EB400 series boot assemblies



Entry Panels 4" Port				
PART #	DESCRIPTION	WALL OPENING	OVERALL SIZE	QTY
E220	4" 1 port, 1 x 1	4" x 4"	7" x 7"	1 Panel
E1448	4" 2 port, 1 x 2	4" x 10"	9.5" x 15.5"	1 Panel
E1635	4" 3 port, 1 x 3	4" x 15"	9.5" x 20"	1 Panel
E575	4" 4 port, 1 x 4	4" x 20.5"	9.5" x 25.5"	1 Panel
E1477	4" 6 port, 1 x 6	4" x 30.5"	9.5" x 36.5"	1 Panel
E1199	4" 4 port, 2 x 2	9.5" x 11"	17.5" x 17.5"	1 Panel
E1449	4" 6 port, 2 x 3	9.5" x 15"	17.5" x 23"	1 Panel
E576	4" 8 port, 2 x 4	9.5" x 20.5"	17.5" x 25.5"	1 Panel
E1297	4" 10 port, 2 x 5	9.5" x 24.5"	17.5" x 31"	1 Panel
E1336	4" 12 port, 2 x 6	9.5" x 31.5"	17.5" x 39.5"	1 Panel
E1033	4" 9 port, 3 x 3	15" x 15"	23" x 23"	1 Panel
E1118	4" 12 port, 3 x 4	15" x 20.5"	25.5" x 25.5"	1 Panel
E1333	4" 18 port, 3 x 6	15" x 31.5"	25.5" x 39.5"	1 Panel
E1447	4" 16 port, 4 x 4	20.5" x 20.5"	25.5" x 25.5"	1 Panel
E1340	4" 24 port, 4 x 6	20.5" x 31.5"	31" x 39.5"	1 Panel

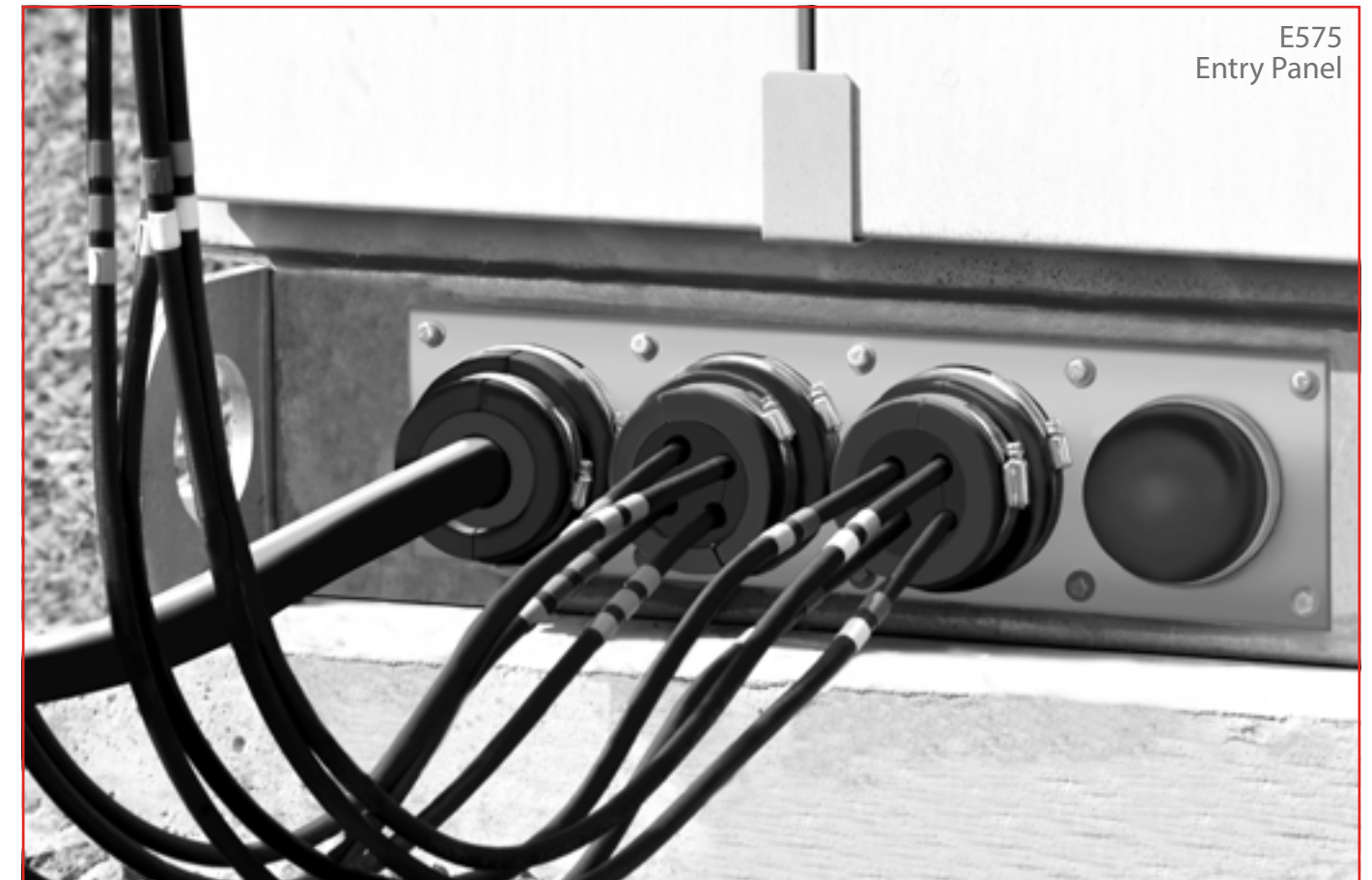
Entry Panels

5" Entry Panels create an excellent seal against moisture while providing a support point for cable entering radio cabinets or shelters.

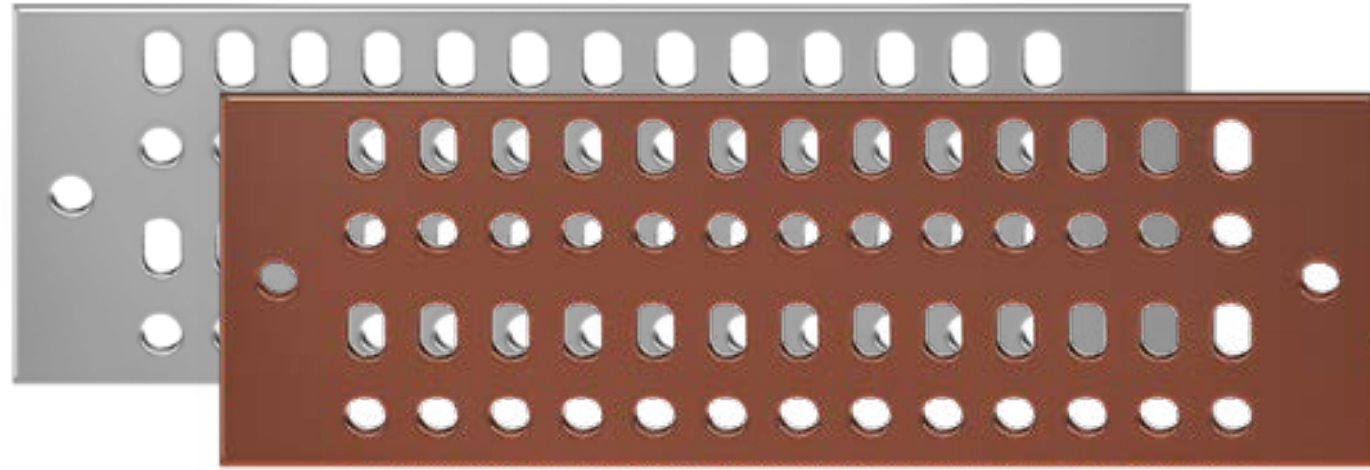
- Entry caps included
- Mounting hardware included
- Provides effective seal against the ingress of dust and moisture when used with EB500 series boot assemblies



Entry Panels 5" Port				
PART #	DESCRIPTION	WALL OPENING	OVERALL SIZE	QTY
E549	5" 1 port, 1 x 1	5" x 5"	9.5" x 9.5"	1 Panel
E550	5" 2 port, 1 x 2	5" x 12"	9.5" x 17.5"	1 Panel
E551	5" 3 port, 1 x 3	5" x 19"	9.5" x 25.5"	1 Panel
E552	5" 4 port, 2 x 2	12" x 12"	17.5" x 17.5"	1 Panel
E553	5" 6 port, 2 x 3	12" x 26"	17.5" x 25.5"	1 Panel



Universal Buss Bars



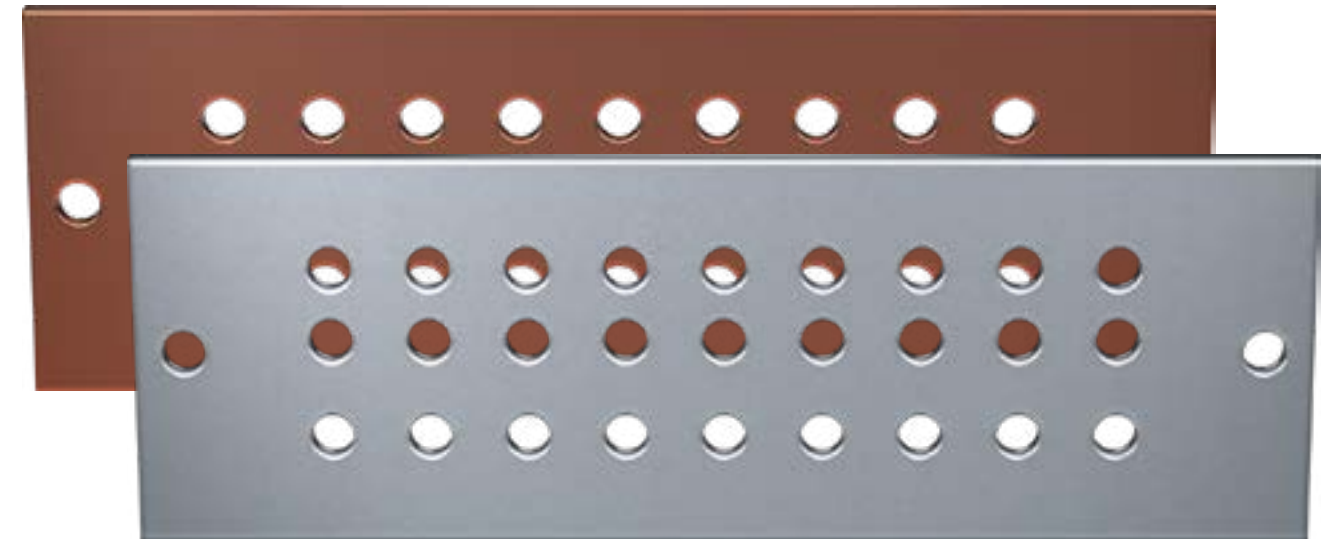
Universal Buss Bars are manufactured with a universal hole pattern in 2" and 4" widths. Our universal design accommodates lugs with 1" or 3/4" hole spacing.

- **Manufactured from 1/4" thick copper bar**
- **Available in bare and tinned copper**
- **Custom sizes and hole configurations available**
- **Suited for 3/8" or 10 mm mounting hardware**

Universal Buss Bars		
PART #	DESCRIPTION	QTY
BB206U	2" X 6", Universal Hole Pattern *	1 Bar
BB206UT	2" X 6", Tinned, Universal Hole Pattern *	1 Bar
BB210U	2" X 10", Universal Hole Pattern *	1 Bar
BB210UT	2" X 10", Tinned, Universal Hole Pattern *	1 Bar
BB212U	2" X 12", Universal Hole Pattern *	1 Bar
BB212UT	2" X 12", Tinned, Universal Hole Pattern *	1 Bar
BB214U	2" X 14", Universal Hole Pattern *	1 Bar
BB214UT	2" X 14", Tinned, Universal Hole Pattern *	1 Bar
BB412U	4" X 12", Universal Hole Pattern *	1 Bar
BB412UT	4" X 12", Tinned, Universal Hole Pattern *	1 Bar
BB418U	4" X 18", Universal Hole Pattern *	1 Bar
BB418UT	4" X 18", Tinned, Universal Hole Pattern *	1 Bar
BB420U	4" X 20", Universal Hole Pattern *	1 Bar
BB420UT	4" X 20", Tinned, Universal Hole Pattern *	1 Bar
BB424U	4" X 24", Universal Hole Pattern *	1 Bar
BB424UT	4" X 24", Tinned, Universal Hole Pattern *	1 Bar
BBG412U	4" X 12", Galvanized, Universal Hole Pattern *	1 Bar
BBG420U	4" X 20" Galvanized, Universal Hole Pattern *	1 Bar
BBG424U	4" X 24" Galvanized, Universal Hole *	1 Bar

* Hardware available upon request see page 21

Standard Buss Bars



Standard Buss Bars are designed to accommodate 3/4" & 1" lug hole spacing. Custom sizes and hole patterns are available upon request.

- **Manufactured from 1/4" thick copper bar**
- **Available in bare and tinned copper**
- **Custom sizes and hole configurations available**

Standard Buss Bars		
PART #	DESCRIPTION	QTY
BB406ST	Standard Buss Bar, 4" x 6" *	1 Bar
BB406STT	Standard Buss Bar, Tinned, 4" x 6" *	1 Bar
BB410ST	Standard Buss Bar, 4" x 10" *	1 Bar
BB410STT	Standard Buss Bar, Tinned, 4" x 10" *	1 Bar
BB412ST	Standard Buss Bar, 4" x 12" *	1 Bar
BB412STT	Standard Buss Bar, Tinned, 4" x 12" *	1 Bar
BB414ST	Standard Buss Bar, 4" x 14" *	1 Bar
BB414STT	Standard Buss Bar, Tinned, 4" x 14" *	1 Bar
BB420ST	Standard Buss Bar, 4" x 20" *	1 Bar
BB420STT	Standard Buss Bar, Tinned, 4" x 20" *	1 Bar
BB424ST	Standard Buss Bar, 4" x 24" *	1 Bar
BB424STT	Standard Buss Bar, Tinned, 4" x 24" *	1 Bar

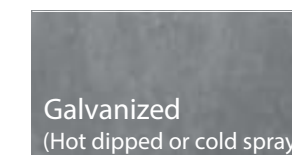
* Hardware available upon request see page 21



Copper



Tinned Copper



Galvanized
(Hot dipped or cold spray)

Other finishes available for all buss bars upon request

Blank Buss Bars

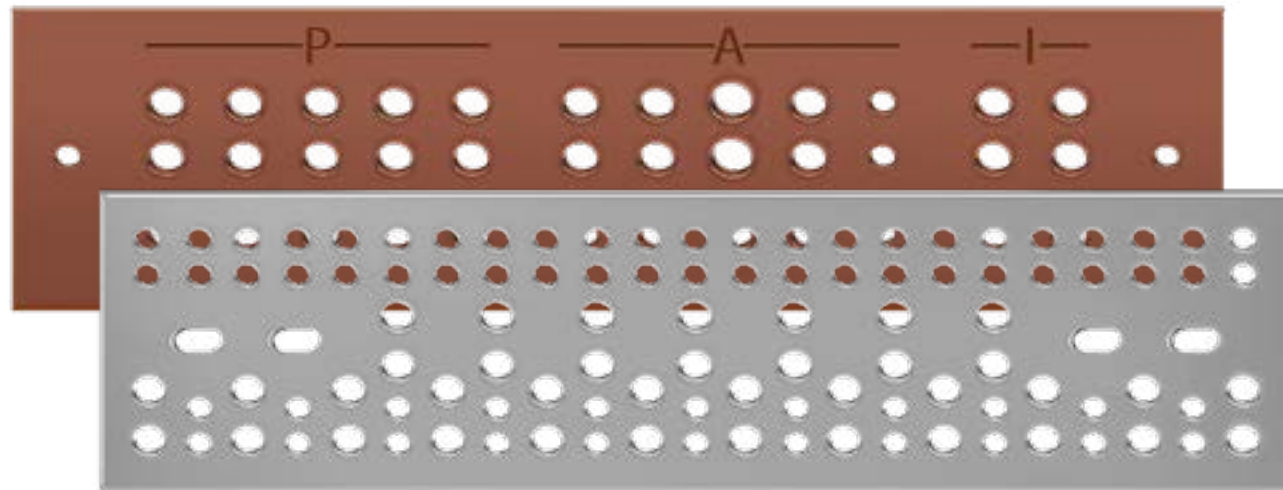


Blank Buss Bars allow for your own custom hole configuration

- Available in 2", 4" & 6" widths
- Any length up to 144"

Blank Buss Bars		
PART #	DESCRIPTION	QTY
BB210B	2" x 10" Blank Buss Bar	1 Bar
BB212B	2" x 12" Blank Buss Bar	1 Bar
BB236B	2" x 36" Blank Buss Bar	1 Bar
BB412B	4" x 12" Blank Buss Bar	1 Bar
BB436B	4" x 36" Blank Buss Bar	1 Bar

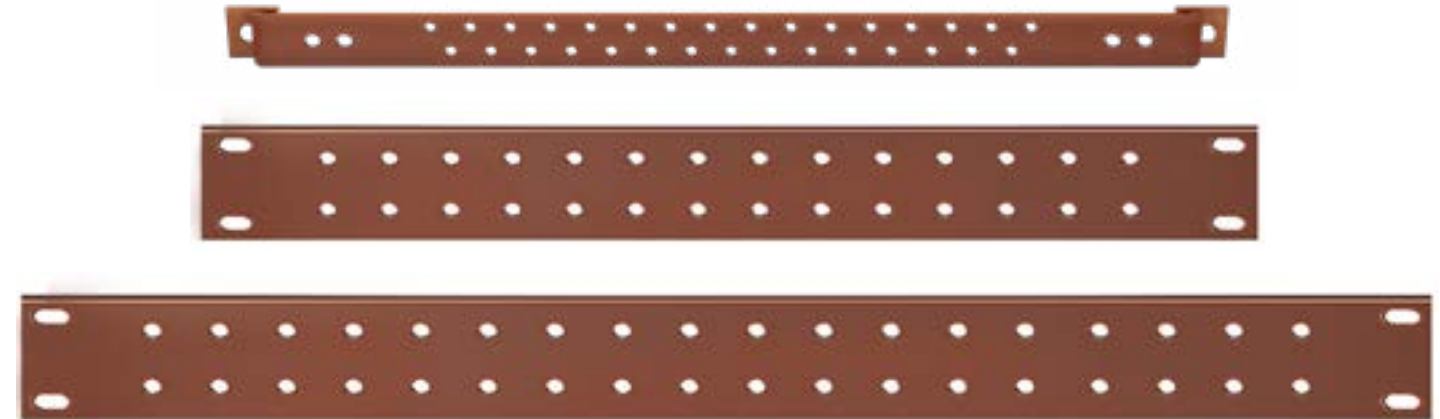
Custom Buss Bars



Custom Buss Bars can be created to suit any custom project. Our capabilities allow for any hole configuration, spacing and size. We maintain a variety of raw material which allows us to expedite delivery of custom buss bars.

- Carrier specific stamping and product specific instructions available
- 2", 4" & 6" bars
- Custom mounting
- 1/8" to 1/4" thickness
- Tapped mounting holes
- Letter stamping
- Custom lengths
- Protective cover kits
- (- & +) Distribution Bars

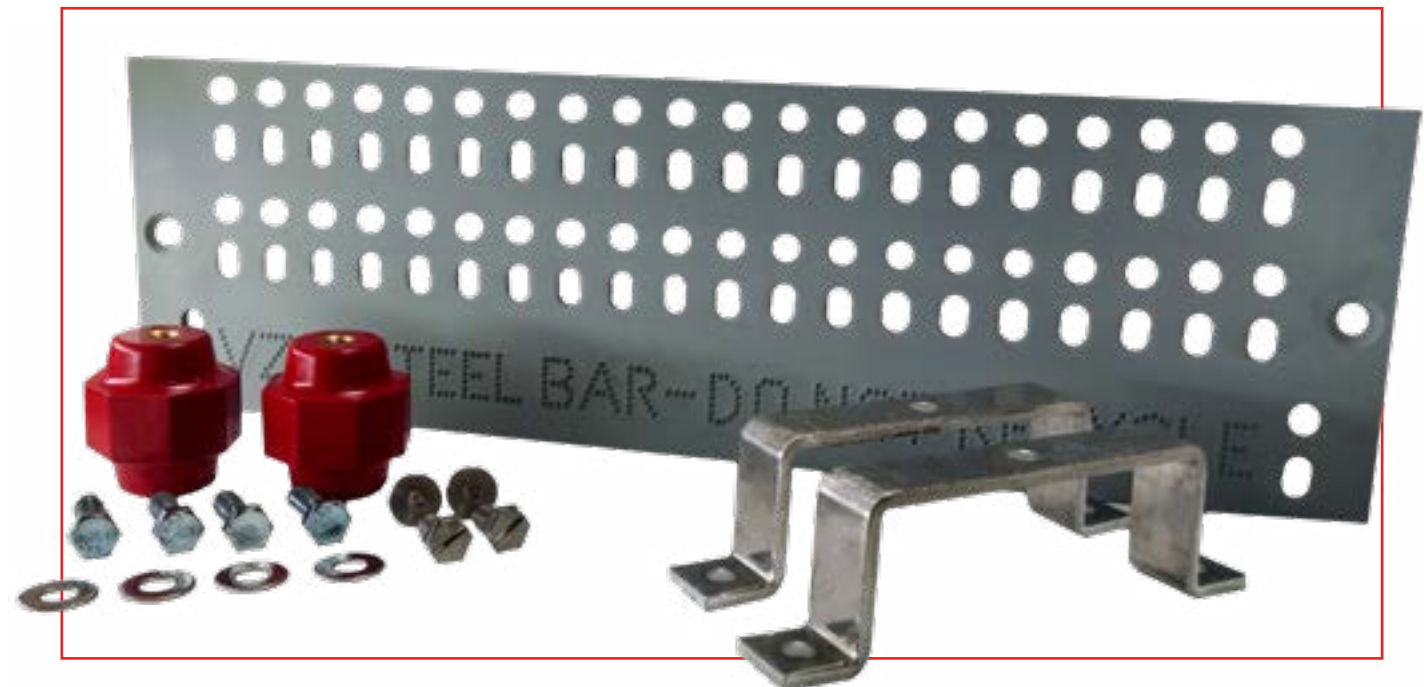
Equipment Rack Buss Bars



Equipment Rack Buss Bars		
PART #	DESCRIPTION	QTY
BBER141190S	1/4" x 1" x 19" Equipment Rack Buss Bar (1" Off-set)*	1 Bar
BBER14219	1/4" x 2" x 19" Equipment Rack Buss Bar*	1 Bar
BBER14223	1/4" x 2" x 23" Equipment Rack Buss Bar*	1 Bar

* Hardware available upon request see page 22

Complete Buss Bar Kits

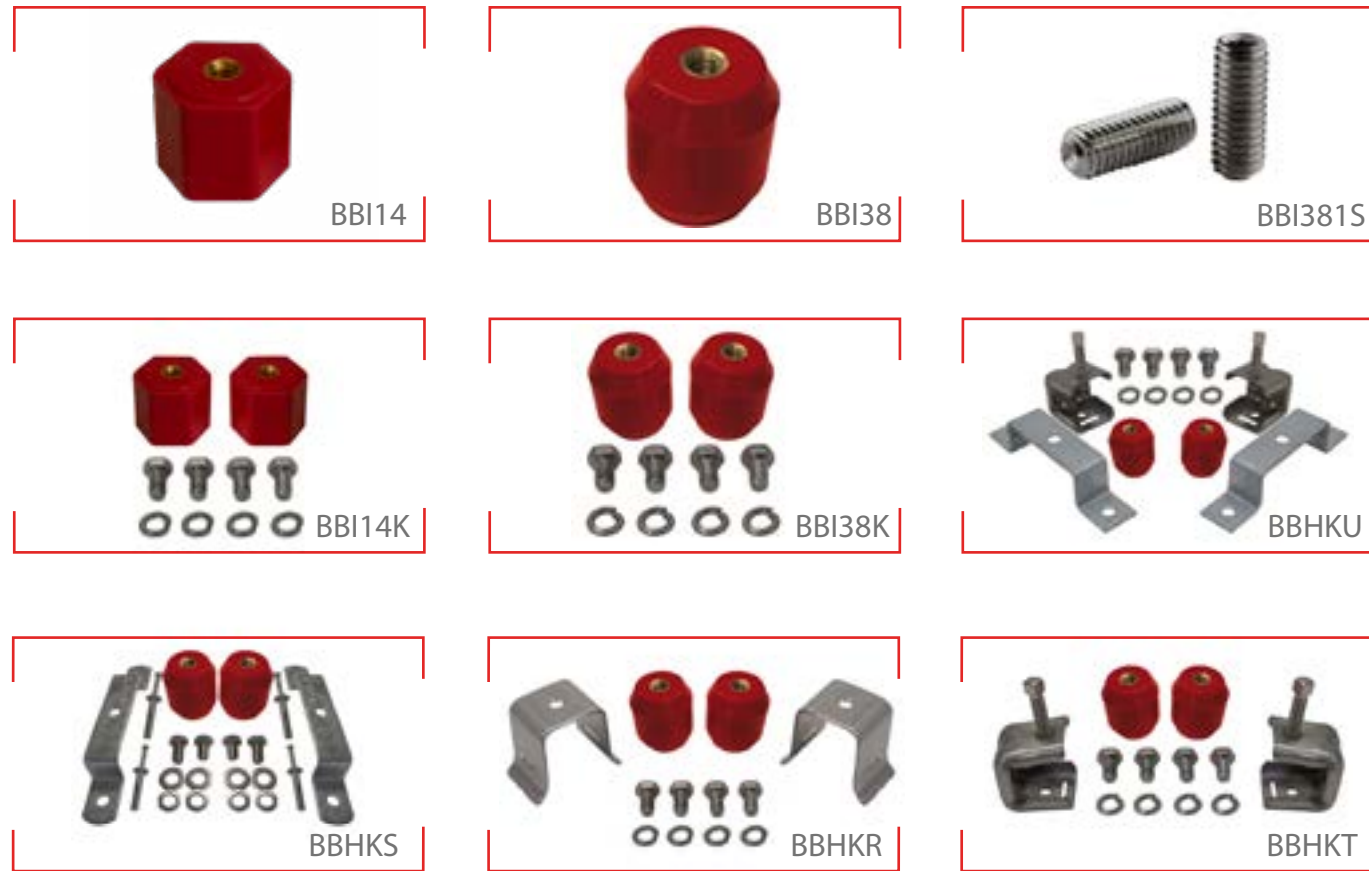


To add buss bar hardware to a buss bar use letter in red at the end of buss bar part number

Example: (BB210UTT)

- | | | |
|-----|-----------------------------|-------|
| "R" | (Round member hardware kit) | BBHKR |
| "S" | (Shelter hardware kit) | BBHKS |
| "T" | (Tower hardware kit) | BBHKT |
| "U" | (Universal hardware kit) | BBHKU |

Buss Bar Mounting Hardware



Buss Bar Hardware kits allow all sizes of buss bars to be secured in virtually any application.

- Stainless steel attachment hardware
- Glass reinforced polyester insulators
- Galvanized shelter brackets

Buss Bar Mounting Hardware		
PART #	DESCRIPTION	QTY
BBI14	1/4" Buss Bar Insulator	1 Insulator
BBI14K	1/4" Buss Bar Insulator Kit (two 1/4" insulators, four 1/4" bolts, four 1/4" lock washers)	1 Kit
BBI38	3/8" Buss Bar Insulator	1 Insulator
BBI38K	3/8" Buss Bar Insulator Kit (two 3/8" insulators, four 3/8" bolts, four 3/8" lock washers)	1 Kit
BBI381S	3/8"-16 x 1" Stud (for stacking buss bars or mounting buss bar cover)	1 Stud
BBHKU	Universal Attachment Hardware Kit	1 Kit
BBHKS	Shelter Attachment Hardware Kit	1 Kit
BBHKR	Round Member Attachment Hardware Kit	1 Kit
BBHKT	Tower Attachment Hardware Kit	1 Kit

To add buss bar hardware to a buss bar use letter in red at the end of buss bar part number

Example: (BB210UTT)

"R"	(Round member hardware kit)	BBHKR
"S"	(Shelter hardware kit)	BBHKS
"T"	(Tower hardware kit)	BBHKT
"U"	(Universal hardware kit)	BBHKU

Equipment Rack Buss Bar Mounting Hardware



Equipment Rack Hardware		
PART #	DESCRIPTION	QTY
BBISO	Buss Bar Insulator Stand Off (Requires SHH122412 & SHH122434)	1
BBIS	Phenolic Buss Bar Insulator Strip	1
SPH10321	10-32 x 1" Pan Head Machine Screw	1
SHH122412	12-24 x 1/2" Slot Hex Washer Head Taptite Thread Roll Screw	1
SHH122434	12-24 x 3/4" Slot Hex Washer Head Taptite Thread Roll Screw	1

Buss Bar Protective Cover

- Made to order
- Engraving available
- Any height and width available



Buss Bar Cover		
PART #	DESCRIPTION	QTY
BBPC	1/4" Clear Protective Buss Bar Cover	1

Standard Ground Kit

The Standard Ground Kit utilizes a mechanically attached ground strap. The ground strap incorporates an expansion rib which eliminates any concern of over tightening.

- Large contact surface area
- Expansion rib prevents over tightening
- 5 ft, 6 AWG ground lead
- Custom sizes available upon request



Standard Ground Kits		
PART #	DESCRIPTION	QTY
GST38	Standard Ground Kit for 3/8" Coaxial Cable	1 Kit
GST38T	Standard Ground Kit for 3/8" Coaxial Cable (Tinned)	1 Kit
GST12	Standard Ground Kit for 1/2" Coaxial Cable	1 Kit
GST12T	Standard Ground Kit for 1/2" Coaxial Cable (Tinned)	1 Kit
GST58	Standard Ground Kit for 5/8" Coaxial Cable	1 Kit
GST58T	Standard Ground Kit for 5/8" Coaxial Cable (Tinned)	1 Kit
GST78	Standard Ground Kit for 7/8" Coaxial Cable	1 Kit
GST78T	Standard Ground Kit for 7/8" Coaxial Cable (Tinned)	1 Kit
GST114	Standard Ground Kit for 1-1/4" Coaxial Cable	1 Kit
GST114T	Standard Ground Kit for 1-1/4" Coaxial Cable (Tinned)	1 Kit
GST158	Standard Ground Kit for 1-5/8" Coaxial Cable	1 Kit
GST158T	Standard Ground Kit for 1-5/8" Coaxial Cable (Tinned)	1 Kit
GST214	Standard Ground Kit for 2-1/4" Coaxial Cable	1 Kit
GST214T	Standard Ground Kit for 2-1/4" Coaxial Cable (Tinned)	1 Kit

Universal Ground Kit

Universal Ground Kits are designed to be compatible with corrugated coax, elliptical waveguide, hybrid, fiber and power assemblies.

- Available with bare or tinned copper ground strap
- 5 ft, 6 AWG ground lead
- Expansion rib prevents over tightening
- Includes 1/4" and 3/8" Universal Ground Lug



Universal Ground Kits		
PART #	DESCRIPTION	QTY
GKUN5	Universal Ground Kit with 5' Lead	1 Kit
GKUN5T	Universal Ground Kit with 5' Lead (Tinned)	1 Kit

Snap-On Ground Kit

The Snap-On Ground Kit is designed to be quickly snapped onto the cable and locked into place with the stainless steel clip.

- Unique design reduces installation time
- Large contact area
- 5 ft, 6 AWG ground lead



Snap-On Ground Kits		
PART #	DESCRIPTION	QTY
GSO12	Snap-On Ground Kit for 1/2" Coaxial Cable	1 Kit
GSO12T	Snap-On Ground Kit for 1/2" Coaxial Cable (Tinned)	1 Kit
GSO78	Snap-On Ground Kit for 7/8" Coaxial Cable	1 Kit
GSO78T	Snap-On Ground Kit for 7/8" Coaxial Cable (Tinned)	1 Kit
GSO114	Snap-On Ground Kit for 1-1/4" Coaxial Cable	1 Kit
GSO114T	Snap-On Ground Kit for 1-1/4" Coaxial Cable (Tinned)	1 Kit
GSO158	Snap-On Ground Kit for 1-5/8" Coaxial Cable	1 Kit
GSO158T	Snap-On Ground Kit for 1-5/8" Coaxial Cable (Tinned)	1 Kit

Mini-Universal Ground Kit

Mini-Universal Ground Kits are designed to be compatible with corrugated coax, elliptical waveguide, hybrid, fiber and power assemblies.

- Available with bare or tinned copper ground strap
- 2ft & 5 ft, 6 AWG ground lead
- Includes 3/8" universal ground lug
- Grounding for 1/4"-3/8" (6mm-10mm) cable



Mini-Universal Ground Kits		
PART #	DESCRIPTION	QTY
GKUM1438	Mini-Universal Ground Kit with 2' Lead	1 Kit
GKUM1438T	Mini-Universal Ground Kit with 2' Lead (Tinned)	1 Kit
GKUM14385	Mini-Universal Ground Kit with 5' Lead	1 Kit
GKUM14385T	Mini-Universal Ground Kit with 5' Lead (Tinned)	1 Kit

Compression Splices

Compression splices are made to connect two strands of wire to make a cold weld. MIROC compression splices are made from seamless high conductive wrought copper. Electro-tin plated for long lasting corrosion resistance. Made for a variety of wire sizes and marked for color coded dies with recommended crimp areas.



- Rated for 600V to 35kV
- Internally tapered ends
- Electro-tin plated

Compression Splices							
PART #	WIRE SIZE	WIRE TYPE	INSPECTION WINDOW	# OF HOLES	BOLT SIZE	SPACING	COLOR CODE
CS8STR	#8 AWG	Stranded	No	----	----	----	Red
CS6STR	#6 AWG	Stranded	No	----	----	----	Blue
CS4STR	#4 AWG	Stranded	No	----	----	----	Gray
CS2SLD	#2 AWG	Solid	No	----	----	----	White
CS2STR	#2 AWG	Stranded	No	----	----	----	Brown
CS20STR	2/0	Stranded	No	----	----	----	Black
CS40STR	4/0	Stranded	No	----	----	----	Purple

#14-#10 Ground Lugs

MIROC #14-#10 AWG ground lugs are made from seamless high conductive wrought copper. Electro-tin plated for long lasting corrosion resistance. Made for a variety of hardware sizes, hole spacing and wire types. Color coded yellow for #14-#10 AWG crimping die with recommended crimp areas.



- Rated for 600V to 35kV
- Internally tapered barrel end
- Available with or without inspection window

#14 - #10 Ground Lugs							
PART #	WIRE SIZE	WIRE TYPE	INSPECTION WINDOW	# OF HOLES	BOLT SIZE	SPACING	COLOR CODE
GL1410STRI114	#14-#10 AWG	Stranded	Yes	1	1/4"	----	Yellow
GL1410STRI138	#14-#10 AWG	Stranded	Yes	1	3/8"	----	Yellow
GL1410STRI2141	#14-#10 AWG	Stranded	Yes	2	1/4"	1"	Yellow
GL1410STR21458	#14-#10 AWG	Stranded	No	2	1/4"	5/8"	Yellow
GL1410STRI21458	#14-#10 AWG	Stranded	Yes	2	1/4"	5/8"	Yellow

#8 Ground Lugs

MIROC #8 AWG ground lugs are made from seamless high conductive wrought copper. Electro-tin plated for long lasting corrosion resistance. Made for a variety of hardware sizes, hole spacing and wire types. Color coded red for #8 AWG crimping die with recommended crimp areas.



- Rated for 600V to 35kV
- Internally tapered barrel end
- Available with or without inspection window

#8 Ground Lugs							
PART #	WIRE SIZE	WIRE TYPE	INSPECTION WINDOW	# OF HOLES	BOLT SIZE	SPACING	COLOR CODE
CS8STR	#8 AWG	Stranded	No	----	----	----	Red
GL8STR114	#8 AWG	Stranded	No	1	1/4"	----	Red
GL8STRI114	#8 AWG	Stranded	Yes	1	1/4"	----	Red
GL8STRI1516	#8 AWG	Stranded	Yes	1	5/16"	----	Red
GL8STRI138	#8 AWG	Stranded	Yes	1	3/8"	----	Red
GL8STR21458	#8 AWG	Stranded	No	2	1/4"	5/8"	Red
GL8STRI21458	#8 AWG	Stranded	Yes	2	1/4"	5/8"	Red
GL8STR21058	#8 AWG	Stranded	No	2	#10	5/8"	Red
GL8STRI21058	#8 AWG	Stranded	Yes	2	#10	5/8"	Red
GL8STR2381	#8 AWG	Stranded	No	2	3/8"	1"	Red
GL8STRI2381	#8 AWG	Stranded	Yes	2	3/8"	1"	Red

MIROC Ground Lug Part Number Breakdown

GL 8 STR I 2 14 58 U

- Ground Lug
- Wire Size: #14 - #10 up to 500 kcmil
- Wire Types: (STR) stranded wire, (SLD) solid wire, (FLX) flex wire
- Window Option: (blank) without window, (I) with window
- Mounting Holes: (1) one mounting hole, (2) two mounting holes
- Mounting Hardware: #10 up to 1/2" mounting hardware
- Hole Spacing: 5/8" up to 1" bolt spacing
- Special Attributes: (90) 90° angled barrel, (NT) narrow tang, (U) Universal bolt spacing 3/4" - 1"
 - * only use if applies

#6 Ground Lugs

MIROC #6 AWG ground lugs are made from seamless high conductive wrought copper. Electro-tin plated for long lasting corrosion resistance. Made for a variety of hardware sizes, hole spacing and wire types. Color coded blue for #6 AWG crimping die with recommended crimp areas.



- Rated for 600V to 35kV
- Internally tapered barrel end
- Available with or without inspection window

#6 Ground Lugs							
PART #	WIRE SIZE	WIRE TYPE	INSPECTION WINDOW	# OF HOLES	BOLT SIZE	SPACING	COLOR CODE
CS6STR	#6 AWG	Stranded	No	----	----	----	Blue
GL6STR114	#6 AWG	Stranded	No	1	1/4"	----	Blue
GL6STRI114	#6 AWG	Stranded	Yes	1	1/4"	----	Blue
GL6STRI1516	#6 AWG	Stranded	Yes	1	5/16"	----	Blue
GL6STR138	#6 AWG	Stranded	No	1	3/8"	----	Blue
GL6STRI138	#6 AWG	Stranded	Yes	1	3/8"	----	Blue
GL6STR21458	#6 AWG	Stranded	No	2	1/4"	5/8"	Blue
GL6STRI21458	#6 AWG	Stranded	Yes	2	1/4"	5/8"	Blue
GL6STR2381	#6 AWG	Stranded	No	2	3/8"	1"	Blue
GL6STRI2381	#6 AWG	Stranded	Yes	2	3/8"	1"	Blue
GL6STR238U	#6 AWG	Stranded	No	2	3/8"	3/4"-1"	Blue
GL6STRI238U	#6 AWG	Stranded	Yes	2	3/8"	3/4"-1"	Blue
GL6STRI238190	#6 AWG	Stranded	Yes	2	3/8"	1"	Blue
GL6FLXI138	#6 AWG	Flex	Yes	1	3/8"	----	Blue
GL6FLX21458	#6 AWG	Flex	No	2	1/4"	5/8"	Blue
GL6FLXI21458	#6 AWG	Flex	Yes	2	1/4"	5/8"	Blue
GL6FLXI21434	#6 AWG	Flex	Yes	2	1/4"	3/4"	Blue
GL6FLXI2381	#6 AWG	Flex	Yes	2	3/8"	1"	Blue

#4 Ground Lugs

MIROC #4 AWG ground lugs are made from seamless high conductive wrought copper. Electro-tin plated for long lasting corrosion resistance. Made for a variety of hardware sizes, hole spacing and wire types. Color coded gray for #4 AWG crimping die with recommended crimp areas.



- Rated for 600V to 35kV
- Internally tapered barrel end
- Available with or without inspection window

#4 Ground Lugs							
PART #	WIRE SIZE	WIRE TYPE	INSPECTION WINDOW	# OF HOLES	BOLT SIZE	SPACING	COLOR CODE
CS4STR	#4 AWG	Stranded	No	----	----	----	Gray
GL4STR114	#4 AWG	Stranded	No	1	1/4"	----	Gray
GL4STRI21458	#4 AWG	Stranded	Yes	2	1/4"	5/8"	Gray
GL4FLXI114	#4 AWG	Flex	Yes	1	1/4"	----	Gray
GL4FLXI1516	#4 AWG	Flex	Yes	1	5/16"	----	Gray
GL4FLXI21458	#4 AWG	Flex	Yes	2	1/4"	5/8"	Gray

#2 Solid Ground Lugs

MIROC #2 Solid AWG ground lugs are made from seamless high conductive wrought copper. Electro-tin plated for long lasting corrosion resistance. Made for a variety of hardware sizes, hole spacing and wire types. #2 solid wire type Color coded white for #2 solid AWG crimping die with recommended crimp areas.



- Rated for 600V to 35kV
- Internally tapered barrel end
- Available with or without inspection window

#2 Solid Ground Lugs							
PART #	WIRE SIZE	WIRE TYPE	INSPECTION WINDOW	# OF HOLES	BOLT SIZE	SPACING	COLOR CODE
CS2SLD	#2 AWG	Solid	No	----	----	----	White
GL2SLDI138	#2 AWG	Solid	Yes	1	3/8"	----	White
GL2SLD21458	#2 AWG	Solid	No	2	1/4"	5/8"	White
GL2SLDI21458	#2 AWG	Solid	Yes	2	1/4"	5/8"	White
GL2SLD2381	#2 AWG	Solid	No	2	3/8"	1"	White
GL2SLDI2381	#2 AWG	Solid	Yes	2	3/8"	1"	White
GL2SLD238U	#2 AWG	Solid	No	2	3/8"	3/4"-1"	White
GL2SLDI238U	#2 AWG	Solid	Yes	2	3/8"	3/4"-1"	White

MIROC Ground Lug Construction



#2 Ground Lugs

MIROC #2 AWG ground lugs are made from seamless high conductive wrought copper. Electro-tin plated for long lasting corrosion resistance. Made for a variety of hardware sizes, hole spacing and wire types. Color coded brown for #2 AWG crimping die for #2 AWG stranded and flex wire type with recommended crimp areas.



- Rated for 600V to 35kV
- Internally tapered barrel end
- Available with or without inspection window

#2 Ground Lugs							
PART #	WIRE SIZE	WIRE TYPE	INSPECTION WINDOW	# OF HOLES	BOLT SIZE	SPACING	COLOR CODE
CS2STR	#2 AWG	Stranded	No	----	----	----	Brown
GL2STR114	#2 AWG	Stranded	No	1	1/4"	----	Brown
GL2STRI114	#2 AWG	Stranded	Yes	1	1/4"	----	Brown
GL2STR1516	#2 AWG	Stranded	No	1	5/16"	----	Brown
GL2STRI1516	#2 AWG	Stranded	Yes	1	5/16"	----	Brown
GL2STR138	#2 AWG	Stranded	No	1	3/8"	----	Brown
GL2STRI138	#2 AWG	Stranded	Yes	1	3/8"	----	Brown
GL2STR2141	#2 AWG	Stranded	No	2	1/4"	1"	Brown
GL2STRI2141	#2 AWG	Stranded	Yes	2	1/4"	1"	Brown
GL2STR21434	#2 AWG	Stranded	No	2	1/4"	3/4"	Brown
GL2STR2143490	#2 AWG	Stranded	No	2	1/4"	3/4"	Brown
GL2STR21458	#2 AWG	Stranded	No	2	1/4"	5/8"	Brown
GL2STRI21458	#2 AWG	Stranded	Yes	2	1/4"	5/8"	Brown
GL2STR2145890	#2 AWG	Stranded	No	2	1/4"	5/8"	Brown
GL2STRI2145890	#2 AWG	Stranded	Yes	2	1/4"	5/8"	Brown
GL2STR2381	#2 AWG	Stranded	No	2	3/8"	1"	Brown
GL2STRI2381	#2 AWG	Stranded	Yes	2	3/8"	1"	Brown
GL2STR238U	#2 AWG	Stranded	No	2	3/8"	3/4"-1"	Brown
GL2STRI238U	#2 AWG	Stranded	Yes	2	3/8"	3/4"-1"	Brown
GL2FLX114	#2 AWG	Flex	No	1	1/4"	----	Brown
GL2FLXI114	#2 AWG	Flex	Yes	1	1/4"	----	Brown
GL2FLX138	#2 AWG	Flex	No	1	3/8"	----	Brown
GL2FLXI138	#2 AWG	Flex	Yes	1	3/8"	----	Brown
GL2FLX21458	#2 AWG	Flex	No	2	1/4"	5/8"	Brown
GL2FLXI21458	#2 AWG	Flex	Yes	2	1/4"	5/8"	Brown
GL2FLXI2141	#2 AWG	Flex	Yes	2	1/4"	1"	Brown
GL2FLX21458NT	#2 AWG	Flex	No	2	1/4"	5/8"	Brown
GL2FLX2381	#2 AWG	Flex	No	2	3/8"	1"	Brown
GL2FLXI2381	#2 AWG	Flex	Yes	2	3/8"	1"	Brown

#1 Ground Lugs

MIROC #1 AWG ground lugs are made from seamless high conductive wrought copper. Electro-tin plated for long lasting corrosion resistance. Made for a variety of hardware sizes, hole spacing and wire types. Color coded green for #1 AWG crimping die with recommended crimp areas.



- Rated for 600V to 35kV
- Internally tapered barrel end
- Available with or without inspection window

#1 Ground Lugs							
PART #	WIRE SIZE	WIRE TYPE	INSPECTION WINDOW	# OF HOLES	BOLT SIZE	SPACING	COLOR CODE
GL1STRI114	#1 AWG	Stranded	Yes	1	1/4"	----	Green
GL1STR21458	#1 AWG	Stranded	No	2	1/4"	5/8"	Green
GL1STRI21458	#1 AWG	Stranded	Yes	2	1/4"	5/8"	Green

1/0 Ground Lugs

MIROC 1/0 AWG ground lugs are made from seamless high conductive wrought copper. Electro-tin plated for long lasting corrosion resistance. Made for a variety of hardware sizes, hole spacing and wire types. Color coded pink for 1/0 AWG crimping die with recommended crimp areas.



- Rated for 600V to 35kV
- Internally tapered barrel end
- Available with or without inspection window

1/0 Ground Lugs							
PART #	WIRE SIZE	WIRE TYPE	INSPECTION WINDOW	# OF HOLES	BOLT SIZE	SPACING	COLOR CODE
GL10STRI2381	1/0	Stranded	Yes	2	3/8"	1"	Pink
GL10FLXI2141	1/0	Flex	Yes	2	1/4"	1"	Pink
GL10FLX21458	1/0	Flex	No	2	1/4"	5/8"	Pink
GL10FLXI21458	1/0	Flex	Yes	2	1/4"	5/8"	Pink
GL10FLX2381	1/0	Flex	No	2	3/8"	1"	Pink
GL10FLXI2381	1/0	Flex	Yes	2	1/4"	1"	Pink

2/0 Ground Lugs

MIROC 2/0 AWG ground lugs are made from seamless high conductive wrought copper. Electro-tin plated for long lasting corrosion resistance. Made for a variety of hardware sizes, hole spacing and wire types. Color coded black for 2/0 AWG crimping die with recommended crimp areas.

- Rated for 600V to 35kV
- Internally tapered barrel end
- Available with or without inspection window



2/0 Ground Lugs							
PART #	WIRE SIZE	WIRE TYPE	INSPECTION WINDOW	# OF HOLES	BOLT SIZE	SPACING	COLOR CODE
CS20STR	2/0	Stranded	No	---	---	---	Black
GL20STRI21434	2/0	Stranded	Yes	2	1/4"	3/4"	Black
GL20STRI21458	2/0	Stranded	Yes	2	1/4"	5/8"	Black
GL20FLXI21458	2/0	Flex	Yes	2	1/4"	5/8"	Black

4/0 Ground Lugs

MIROC 4/0 AWG ground lugs are made from seamless high conductive wrought copper. Electro-tin plated for long lasting corrosion resistance. Made for a variety of hardware sizes, hole spacing and wire types. Color coded purple for 4/0 AWG crimping die with recommended crimp areas.

- Rated for 600V to 35kV
- Internally tapered barrel end
- Available with or without inspection window



4/0 Ground Lugs							
PART #	WIRE SIZE	WIRE TYPE	INSPECTION WINDOW	# OF HOLES	BOLT SIZE	SPACING	COLOR CODE
CS40STR	4/0	Stranded	No	---	---	---	Purple
GL40STRI21458	4/0	Stranded	Yes	2	1/4"	5/8"	Purple
GL40STR2381	4/0	Stranded	No	2	3/8"	1"	Purple
GL40STRI2381	4/0	Stranded	Yes	2	3/8"	1"	Purple
GL40STRI212134	4/0	Stranded	Yes	2	1/2"	3/4"	Purple
GL40FLXI21458	4/0	Flex	Yes	2	1/4"	5/8"	Purple
GL40FLX2381	4/0	Flex	No	2	3/8"	1"	Purple
GL40FLXI2381	4/0	Flex	Yes	2	3/8"	1"	Purple

500 kcmil Ground Lugs

MIROC 500 kcmil ground lugs are made from seamless high conductive wrought copper. Electro-tin plated for long lasting corrosion resistance. Made for a variety of hardware sizes, hole spacing and wire types. Color coded brown for 500 kcmil crimping die with recommended crimp areas.

- Rated for 600V to 35kV
- Internally tapered barrel end
- Available with or without inspection window



500 kcmil Ground Lugs							
PART #	WIRE SIZE	WIRE TYPE	INSPECTION WINDOW	# OF HOLES	BOLT SIZE	SPACING	COLOR CODE
GL500I2381	500 kcmil	Stranded	Yes	2	3/8"	1"	Brown
GL500FLXI2381	500 kcmil	Flex	Yes	2	3/8"	1"	Brown
GL500FLXI212134NT	500 kcmil	Flex	Yes	2	1/2"	1-3/4"	Brown

Lug Bond Washer

Bond washers help to reduce resistance between lug and grounding bar. Tight seal helps to prevent corrosion between buss bar and lug.



Lug Bond Washers		
PART #	DESCRIPTION	QTY
WBS381	Bond washer with 1" Lug Spacing	1 Pack of 10



Heat Shrink 4' Sticks

- UL approved
- Non Adhesive, 2:1 shrink ratio
- Adhesive, 3:1 shrink ratio
- Available in a variety of colors



Black Heat Shrink Sticks		
PART #	DESCRIPTION	QTY
HSABLK1848	Heat Shrink, Black, Adhesive, 1/8"x48", 3:1	1, 48" Stick
HSBLK1848	Heat Shrink, Black, Non Adhesive, 1/8"x48", 3:1	1, 48" Stick
HSABLK1448	Heat Shrink, Black, Adhesive, 1/4"x48", 3:1	1, 48" Stick
HSBLK1448	Heat Shrink, Black, Non Adhesive, 1/4"x48", 2:1	1, 48" Stick
HSABLK3848	Heat Shrink, Black, Adhesive, 3/8"x48", 3:1	1, 48" Stick
HSBLK3848	Heat Shrink, Black, Non Adhesive, 3/8"x48", 2:1	1, 48" Stick
HSABLK1248	Heat Shrink, Black, Adhesive, 1/2"x48", 3:1	1, 48" Stick
HSBLK1248	Heat Shrink, Black, Non Adhesive, 1/2"x48", 2:1	1, 48" Stick
HSABLK3448	Heat Shrink, Black, Adhesive, 3/4"x48", 3:1	1, 48" Stick
HSBLK3448	Heat Shrink, Black, Non Adhesive, 3/4"x48", 2:1	1, 48" Stick
HSABLK148	Heat Shrink, Black, Adhesive, 1"x48", 3:1	1, 48" Stick
HSBLK148	Heat Shrink, Black, Non Adhesive, 1"x48", 3:1	1, 48" Stick
HSABLK11248	Heat Shrink, Black, Adhesive, 1-1/2"x48", 3:1	1, 48" Stick
HSBLK11248	Heat Shrink, Black, Non Adhesive, 1-1/2"x48", 2:1	1, 48" Stick
HSBLK248	Heat Shrink, Black, Non Adhesive, 2"x48", 2:1	1, 48" Stick

Clear Heat Shrink Sticks		
PART #	DESCRIPTION	QTY
HSACL1848	Heat Shrink, Clear, Adhesive, 1/8" x 48", 3:1 Shrink Ratio	1, 48" Stick
HSCL1848	Heat Shrink, Clear, Non Adhesive, 1/8" x 48", 2:1 Shrink Ratio	1, 48" Stick
HSACL1448	Heat Shrink, Clear, Adhesive, 1/4" x 48", 3:1 Shrink Ratio	1, 48" Stick
HSCL1448	Heat Shrink, Clear, Non Adhesive, 1/4" x 48", 2:1 Shrink Ratio	1, 48" Stick
HSACL3848	Heat Shrink, Clear, Adhesive, 3/8" x 48", 3:1 Shrink Ratio	1, 48" Stick
HSCL3848	Heat Shrink, Clear, Non Adhesive, 3/8" x 48", 2:1 Shrink Ratio	1, 48" Stick
HSACL1248	Heat Shrink, Clear, Adhesive, 1/2" x 48", 3:1 Shrink Ratio	1, 48" Stick
HSCL1248	Heat Shrink, Clear, Non Adhesive, 1/2" x 48", 2:1 Shrink Ratio	1, 48" Stick
HSACL3448	Heat Shrink, Clear, Adhesive, 3/4" x 48", 3:1 Shrink Ratio	1, 48" Stick
HSCL3448	Heat Shrink, Clear, Non Adhesive, 3/4" x 48", 2:1 Shrink Ratio	1, 48" Stick
HSACL148	Heat Shrink, Clear, Adhesive, 1" x 48", 3:1 Shrink Ratio	1, 48" Stick
HSCL148	Heat Shrink, Clear, Non Adhesive 1" x 48", 2:1 Shrink Ratio	1, 48" Stick
HSACL11248	Heat Shrink, Clear, Adhesive, 1-1/2" x 48", 3:1 Shrink Ratio	1, 48" Stick
HSCL11248	Heat Shrink, Clear, Non Adhesive 1-1/2" x 48", 2:1 Shrink Ratio	1, 48" Stick
HSCL248	Heat Shrink, Clear, Non Adhesive, 2" x 48", 2:1 Shrink Ratio	1, 48" Stick

Black Heat Shrink Rolls

- UL approved
- Non Adhesive, 2:1 shrink ratio
- Adhesive, 3:1 shrink ratio
- Available in a variety of colors



Black Heat Shrink Rolls		
PART #	DESCRIPTION	QTY
HSBLK14100	Heat Shrink, Black, Non Adhesive, 1/4" x 100', 2:1 Shrink Ratio	1, 100' Roll
HSABLK38100	Heat Shrink, Black, Adhesive, 3/8" x 100', 3:1 Shrink Ratio	1, 100' Roll
HSBLK38100	Heat Shrink, Black, Non Adhesive, 3/8" x 100', 2:1 Shrink Ratio	1, 100' Roll
HSABLK12100	Heat Shrink, Black, Adhesive, 1/2" x 100', 3:1 Shrink Ratio	1, 100' Roll
HSBLK12100	Heat Shrink, Black, Non Adhesive, 1/2" x 100', 2:1 Shrink Ratio	1, 100' Roll
HSBLK34100	Heat Shrink, Black, Non Adhesive, 3/4" x 100', 2:1 Shrink Ratio	1, 100' Roll

Clear Heat Shrink Rolls

- UL approved
- Non Adhesive, 2:1 shrink ratio
- Adhesive, 3:1 shrink ratio
- Available in a variety of colors

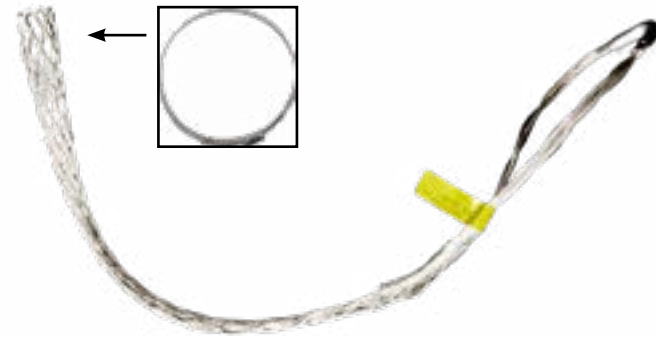


Clear Heat Shrink Rolls		
PART #	DESCRIPTION	QTY
HSACL38100	Heat Shrink, Clear, Adhesive, 3/8" x 100', 3:1 Shrink Ratio	1, 100' Roll
HSCL38100	Heat Shrink, Clear, Non Adhesive, 3/8" x 100', 2:1 Shrink Ratio	1, 100' Roll
HSCL14100	Heat Shrink, Clear, Non Adhesive, 1/4" x 100', 2:1 Shrink Ratio	1, 100' Roll
HSACL12100	Heat Shrink, Clear, Adhesive, 1/2" x 100', 3:1 Shrink Ratio	1, 100' Roll
HSCL12100	Heat Shrink, Clear, Non Adhesive, 1/2" x 100', 2:1 Shrink Ratio	1, 100' Roll
HSCL34100	Heat Shrink, Clear, Non Adhesive, 3/4" x 100', 2:1 Shrink Ratio	1, 100' Roll
HSCL1100	Heat Shrink, Clear, Non Adhesive, 1" x 100', 2:1 Shrink Ratio	1, 100' Roll

Other colors available. Some colors, sizes and adhesives are not stock items please call to confirm lead time.



Hoisting Grips



Hoisting Grips are designed to lift and support all types of coaxial cable. Hoisting Grips are available in both Closed Weave (Pre-laced) and Open Weave (Lace-up) design.

- Available in open weave and closed weave design
- Support clamp included with closed weave grips
- Custom sizes hoisting grips available upon request

Open Weave Hoisting Grips		
PART #	DESCRIPTION	QTY
GRIP140	Open Weave Grip for 1/4" Cable	1 Grip
GRIP380	Open Weave Grip for 3/8" Cable	1 Grip
GRIP120	Open Weave Grip for 1/2" Cable	1 Grip
GRIP580	Open Weave Grip for 5/8" Cable	1 Grip
GRIP780	Open Weave Grip for 7/8" Cable	1 Grip
GRIP1140	Open Weave Grip for 1-1/4" Cable	1 Grip
GRIP1580	Open Weave Grip for 1-5/8" Cable	1 Grip
GRIP2140	Open Weave Grip for 2-1/4" Cable	1 Grip

Closed Weave Hoisting Grips		
PART #	DESCRIPTION	QTY
GRIP14C	Closed Weave Grip for 1/4" Cable	1 Grip
GRIP38C	Closed Weave Grip for 3/8" Cable	1 Grip
GRIP12C	Closed Weave Grip for 1/2" Cable	1 Grip
GRIP58C	Closed Weave Grip for 5/8" Cable	1 Grip
GRIP78C	Closed Weave Grip for 7/8" Cable	1 Grip
GRIP114C	Closed Weave Grip for 1-1/4" Cable	1 Grip
GRIP158C	Closed Weave Grip for 1-5/8" Cable	1 Grip
GRIP214C	Closed Weave Grip for 2-1/4" Cable	1 Grip

Fiber Hoisting Grips

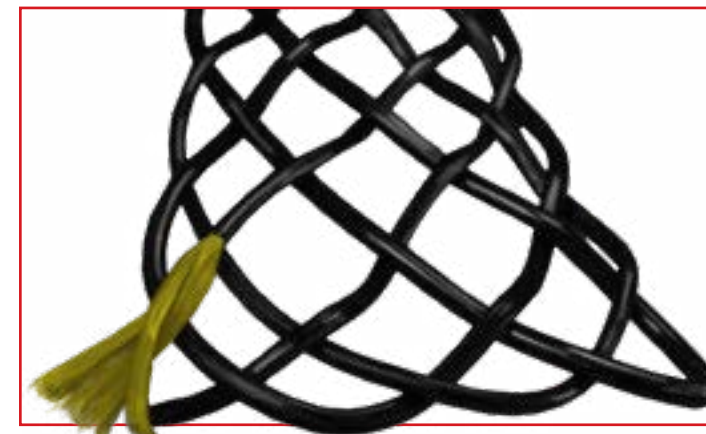


Fiber Hoisting Grips are manufactured from coated arimid fiber to reduce PIM interference. Hoisting Grips are available in both Closed Weave (Pre-laced) and Open Weave (Lace-up) design.

- Made from aramid fiber and UV coating
- Available in open weave and closed weave design
- Custom sizes hoisting grips available upon request

Open Weave Fiber Hoisting Grips		
PART #	DESCRIPTION	QTY
GRIPFBRB140	Open Weave Fiber Grip for 1/4" Cable	1 Grip
GRIPFBRB380	Open Weave Fiber Grip for 3/8" Cable	1 Grip
GRIPFBRB120	Open Weave Fiber Grip for 1/2" Cable	1 Grip
GRIPFBRB580	Open Weave Fiber Grip for 5/8" Cable	1 Grip
GRIPFBRB780	Open Weave Fiber Grip for 7/8" Cable	1 Grip
GRIPFBRB1140	Open Weave Fiber Grip for 1-1/4" Cable	1 Grip
GRIPFBRB1580	Open Weave Fiber Grip for 1-5/8" Cable	1 Grip
GRIPFBRB2140	Open Weave Fiber Grip for 2-1/4" Cable	1 Grip

Closed Weave Fiber Hoisting Grips		
PART #	DESCRIPTION	QTY
GRIPFBRB14C	Closed Weave Fiber Grip for 1/4" Cable	1 Grip
GRIPFBRB38C	Closed Weave Fiber Grip for 3/8" Cable	1 Grip
GRIPFBRB12C	Closed Weave Fiber Grip for 1/2" Cable	1 Grip
GRIPFBRB58C	Closed Weave Fiber Grip for 5/8" Cable	1 Grip
GRIPFBRB78C	Closed Weave Fiber Grip for 7/8" Cable	1 Grip
GRIPFBRB114C	Closed Weave Fiber Grip for 1-1/4" Cable	1 Grip
GRIPFBRB158C	Closed Weave Fiber Grip for 1-5/8" Cable	1 Grip
GRIPFBRB214C	Closed Weave Fiber Grip for 2-1/4" Cable	1 Grip



4.3-10 Termination Loads

Operating frequency band, 0-3GHZ. Cooling fins minimize temperature rise.

- High reliability
- Low VSWR
- Other loads available



4.3/10 Mini DIN Connector Termination Loads		
PART #	DESCRIPTION	QTY
TL2DM4310	Termination Load, 2 Watt, 4.3/10 Mini DIN Male	1 Term Load
TL2DF4310	Termination Load, 2 Watt, 4.3/10 Mini DIN Female	1 Term Load
TL5DM4310	Termination Load, 5 Watt, 4.3/10 Mini DIN Male	1 Term Load
TL5DF4310	Termination Load, 5 Watt, 4.3/10 Mini DIN Female	1 Term Load
TL10DM4310	Termination Load, 10 Watt, 4.3/10 Mini DIN Male	1 Term Load
T10DF4310	Termination Load, 10 Watt, 4.3/10 Mini DIN Female	1 Term Load
TL25DM4310	Termination Load, 25 Watt, 4.3/10 Mini DIN Male	1 Term Load
TL25DF4310	Termination Load, 25 Watt, 4.3/10 Mini DIN Female	1 Term Load
TL50DM4310	Termination Load, 50 Watt, 4.3/10 Mini DIN Male	1 Term Load
TL50DF4310	Termination Load, 50 Watt, 4.3/10 Mini DIN Female	1 Term Load
TL100DM4310	Termination Load, 100 Watt, 4.3/10 Mini DIN Male	1 Term Load
TL100DF4310	Termination Load, 100 Watt, 4.3/10 Mini DIN Female	1 Term Load

N-Connector Termination Loads

Operating frequency band, 0-3GHZ. Cooling fins minimize temperature rise.

- High reliability
- Low VSWR
- Other loads available



N-Connector Termination Loads		
PART #	DESCRIPTION	QTY
TL2NM	Termination Load, 2 Watt, N-Male	1 Term Load
TL2NF	Termination Load, 2 Watt, N-Female	1 Term Load
TL5NM	Termination Load, 5 Watt, N-Male	1 Term Load
TL5NF	Termination Load, 5 Watt, N-Female	1 Term Load
TL10NM	Termination Load, 10 Watt, N-Male	1 Term Load
T10NF	Termination Load, 10 Watt, N-Female	1 Term Load
TL25NM	Termination Load, 25 Watt, N-Male	1 Term Load
TL25NF	Termination Load, 25 Watt, N-Female	1 Term Load
TL50NM	Termination Load, 50 Watt, N-Male	1 Term Load
TL50NF	Termination Load, 50 Watt, N-Female	1 Term Load
TL100NM	Termination Load, 100 Watt, N-Male	1 Term Load
TL100NF	Termination Load, 100 Watt, N-Female	1 Term Load

7/16 Termination Loads

Operating frequency band, 0-3GHZ. Cooling fins minimize temperature rise.

- High reliability
- Low VSWR
- Other loads available



7/16 DIN Connector Termination Loads		
PART #	DESCRIPTION	QTY
TL2DM	Termination Load, 2 Watt, 7/16 DIN Male	1 Term Load
TL2DF	Termination Load, 2 Watt, 7/16 DIN Female	1 Term Load
TL5DM	Termination Load, 5 Watt, 7/16 DIN Male	1 Term Load
TL5DF	Termination Load, 5 Watt, 7/16 DIN Female	1 Term Load
TL10DM	Termination Load, 10 Watt, 7/16 DIN Male	1 Term Load
T10DF	Termination Load, 10 Watt, 7/16 DIN Female	1 Term Load
TL25DM	Termination Load, 25 Watt, 7/16 DIN Male	1 Term Load
TL25DF	Termination Load, 25 Watt, 7/16 DIN Female	1 Term Load
TL50DM	Termination Load, 50 Watt, 7/16 DIN Male	1 Term Load
TL50DF	Termination Load, 50 Watt, 7/16 DIN Female	1 Term Load
TL100DM	Termination Load, 100 Watt, 7/16 DIN Male	1 Term Load
TL100DF	Termination Load, 100 Watt, 7/16 DIN Female	1 Term Load

End Caps



End Cap		
PART #	DESCRIPTION	QTY
CPN10	Female End Cap for NEX10™ connector	1 Cap
CP4310	4.3-10 DIN Female End Cap	1 Cap
CP716DINF	7-16 DIN Female End Cap	1 Cap

RET Cables

RET Cables feed data and power from the controller to the remote electrical tilt system.

- Feed data and power to RET system components
- Remote electrical tilt control cable, IP67 standard
- Connectors AISG output/input
- Custom lengths available



AISG RET Cable		
PART #	DESCRIPTION	QTY
MRET-171-005	AISG RET 8 Pin cable male to female 0.5 Meter	1 Cable
MRET-171-01	AISG RET 8 Pin cable male to female 1 Meter	1 Cable
MRET-171-02	AISG RET 8 Pin cable male to female 2 Meters	1 Cable
MRET-171-03	AISG RET 8 Pin cable male to female 3 Meters	1 Cable
MRET-171-04	AISG RET 8 Pin cable male to female 4 Meters	1 Cable
MRET-171-05	AISG RET 8 Pin cable male to female 5 Meters	1 Cable
MRET-171-06	AISG RET 8 Pin cable male to female 6 Meters	1 Cable
MRET-171-09	AISG RET 8 Pin cable male to female 9 Meters	1 Cable
MRET-171-10	AISG RET 8 Pin cable male to female 10 Meters	1 Cable
MRET-171-15	AISG RET 8 Pin cable male to female 15 Meters	1 Cable
MRET-171-20	AISG RET 8 Pin cable male to female 20 Meters	1 Cable
MRET-171-25	AISG RET 8 Pin cable male to female 25 Meters	1 Cable
MRET-171-30	AISG RET 8 Pin cable male to female 30 Meters	1 Cable
MRET-171-40	AISG RET 8 Pin cable male to female 40 Meters	1 Cable
MRET-171-50	AISG RET 8 Pin cable male to female 50 Meters	1 Cable
MRET-171-60	AISG RET 8 Pin cable male to female 60 Meters	1 Cable
MRET-171-70	AISG RET 8 Pin cable male to female 70 Meters	1 Cable
MRET-171-80	AISG RET 8 Pin cable male to female 80 Meters	1 Cable
MRET-171-90	AISG RET 8 Pin cable male to female 90 Meters	1 Cable
MRET-171-100	AISG RET 8 Pin cable male to female 100 Meters	1 Cable



PIM MITIGATION



PIM Mitigation Snap-in Single Blocks

Snap Blocks easily snap into 3/4" ID mounting holes providing a solid base which reduces lateral movement. Blocks are stackable and re-adjustable.

- Manufactured from weather resistant polypropylene
- Insert manufactured from POM6
- Patent Pending



PIM Mitigation Snap Blocks		
PART #	DESCRIPTION	QTY
SBSM58PIM	PIM Mitigation Snap-in Single Block 5mm-8mm Cable	1 Pack of 10
SBSM812PIM	PIM Mitigation Snap-in Single Block 8mm-12mm Cable	1 Pack of 10
SBSM1216PIM	PIM Mitigation Snap-in Single Block 12mm-16mm Cable (1/2" Flex and 1/2" Standard Coax)	1 Pack of 10

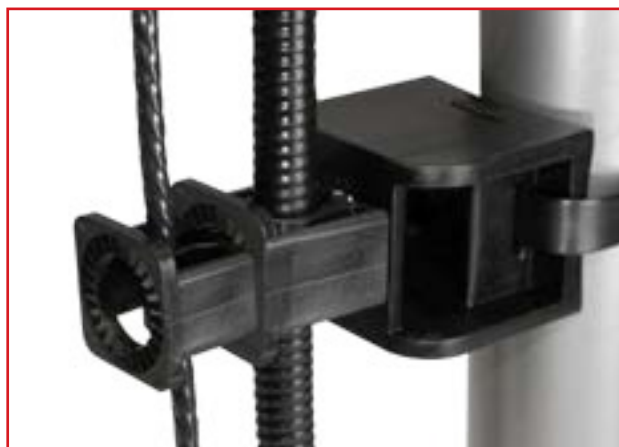
PIM Mitigation Snap-in Double Blocks



Snap Blocks easily snap into 3/4" ID mounting holes, providing cable support while eliminating a common source of PIM. PIM Blocks are stackable and re-adjustable.

- Manufactured from weather resistant polypropylene
- Insert manufactured from POM
- Reduces installation time
- US Patent No. 7,484,698

PIM Mitigation Snap Blocks		
PART #	DESCRIPTION	QTY
SBDM58PIM	PIM Mitigation Snap-in Double Block 5mm-8mm Cable	1 Pack of 10
SBDM812PIM	PIM Mitigation Snap-in Double Block 8mm-12mm Cable	1 Pack of 10
SBDM1216PIM	PIM Mitigation Snap-in Double Block 12mm-16mm Cable (1/2" Flex and 1/2" Standard Coax)	1 Pack of 10



PIM Stand-Off Adapter

Stand-Off Adapters provide an attachment point for snap-in hangers and snap-in blocks. Eliminates a common source of PIM.

- Manufactured from weather resistant polypropylene
- 3/4" thru hole attachment point
- 3/8" threaded rod mounting capability
- Compatible with 1/2" banding



PIM Mitigation Stand-Off Adapter		
PART #	DESCRIPTION	QTY
SOPIM	PIM Mitigation Stand-off Adapter (3/4" thru hole or 3/8" attachment point)	1 Pack of 10

3 Way Stand-Off Adapter

3 Way Stand-Off Adapter provide three attachment points for snap-in hangers and snap-in blocks. Eliminates a common source of PIM.

- Manufactured from weather resistant polypropylene
- 3/4" thru hole attachment point
- 3/8" threaded rod mounting capability
- Compatible with 1/2" banding



PIM Mitigation 3 Way Stand-Off Adapter		
PART #	DESCRIPTION	QTY
SO3SPIM	PIM Mitigation 3 Way Stand-off Adapter (3, 3/4" thru hole attachment points)	1 Pack of 10

3 Way Stand-Off Adapter 3/8" Mounting

3 Way Stand-Off Adapter provide three attachment points for snap-in hangers and snap-in blocks. Eliminates a common source of PIM.

- Manufactured from weather resistant polypropylene
- 3/4" thru hole attachment point
- 3/8" threaded rod mounting capability
- Bolts with 3/8" mounting hardware



PIM Mitigation 3 Way Stand-Off Adapter 3/8" Mounting		
PART #	DESCRIPTION	QTY
SO3S38PIM	PIM Mitigation 3 Way Stand-off Adapter (3, 3/4" thru hole attachment points) 3/8" Mounting	1 Pack of 10

Fiber Hoisting Grips

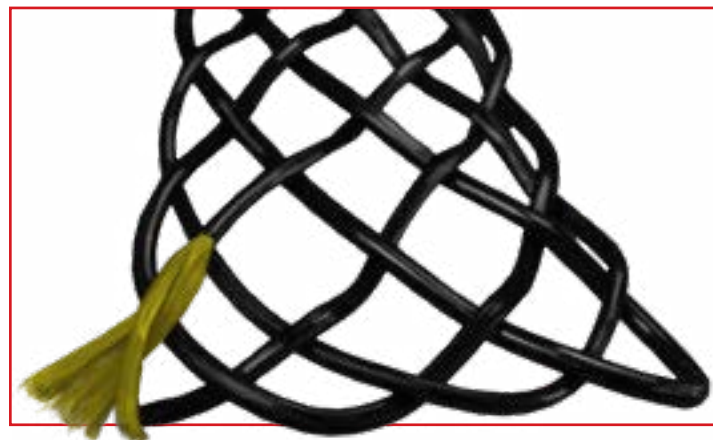


Fiber Hoisting Grips are manufactured from coated aramid fiber to reduce PIM interference. Hoisting Grips are available in both Closed Weave (Pre-laced) and Open Weave (Lace-up) design.

- Made from aramid fiber and UV coating
- Available in open weave and closed weave design
- Custom sizes hoisting grips available upon request

Open Weave Fiber Hoisting Grips		
PART #	DESCRIPTION	QTY
GRIPFBRB140	Open Weave Fiber Grip for 1/4" Coax Cable	1 Grip
GRIPFBRB380	Open Weave Fiber Grip for 3/8" Coax Cable	1 Grip
GRIPFBRB120	Open Weave Fiber Grip for 1/2" Coax Cable	1 Grip
GRIPFBRB580	Open Weave Fiber Grip for 5/8" Coax Cable	1 Grip
GRIPFBRB780	Open Weave Fiber Grip for 7/8" Coax Cable	1 Grip
GRIPFBRB1140	Open Weave Fiber Grip for 1-1/4" Coax Cable	1 Grip
GRIPFBRB1580	Open Weave Fiber Grip for 1-5/8" Coax Cable	1 Grip
GRIPFBRB2140	Open Weave Fiber Grip for 2-1/4" Coax Cable	1 Grip

Closed Weave Fiber Hoisting Grips		
PART #	DESCRIPTION	QTY
GRIPFBRB14C	Closed Weave Fiber Grip for 1/4" Cable	1 Grip
GRIPFBRB38C	Closed Weave Fiber Grip for 3/8" Cable	1 Grip
GRIPFBRB12C	Closed Weave Fiber Grip for 1/2" Cable	1 Grip
GRIPFBRB58C	Closed Weave Fiber Grip for 5/8" Cable	1 Grip
GRIPFBRB78C	Closed Weave Fiber Grip for 7/8" Cable	1 Grip
GRIPFBRB114C	Closed Weave Fiber Grip for 1-1/4" Cable	1 Grip
GRIPFBRB158C	Closed Weave Fiber Grip for 1-5/8" Cable	1 Grip
GRIPFBRB214C	Closed Weave Fiber Grip for 2-1/4" Cable	1 Grip



Cable Ties



Cable Ties		
PART #	DESCRIPTION	KIT QTY
TWB450	Black UV Rated 50 lbs. Cable Tie 4"	1 Pack of 50
TWB850	Black UV Rated 50 lbs. Cable Tie 8"	1 Pack of 50
TWB8100	Black UV Rated 50 lbs. Cable Tie 8"	1 Pack of 100
TWB1450	Black UV Rated 120 lbs. Cable Tie 14"	1 Pack of 50
TWB14100	Black UV Rated 120 lbs. Cable Tie 14"	1 Pack of 100

Acetal Banding Tool

Acetal Banding Tool		
PART #	DESCRIPTION	QTY
BNDAT00L	Cable Banding Installation Tool	1 Tool



Acetal Banding Locking Heads

Conveniently sold in 25, 50 and 100 packs

Acetal Banding Locking Heads		
PART #	DESCRIPTION	QTY
BNDALH	Locking Head for 1/2" Acetal Banding	1 Locking Head
BNDALH-25	Locking Head for 1/2" Acetal Banding	1 Pack of 25
BNDALH-50	Locking Head for 1/2" Acetal Banding	1 Pack of 50
BNDALH-100	Locking Head for 1/2" Acetal Banding	1 Pack of 100



Acetal Banding



Acetal Banding Rolls		
PART #	DESCRIPTION	QTY
BNDA1250	Acetal Banding, 1/2" x 50' Roll	1 Roll

Color Tape



Color Tape		
PART #	DESCRIPTION	QTY
TPBLK3466	Black Tape 3/4" wide, 66' long	1 Roll
TPWT3466	White Tape 3/4" wide, 66' long	1 Roll
TPBL3466	Blue Tape 3/4" wide, 66' long	1 Roll
TPBR3466	Brown Tape 3/4" wide, 66' long	1 Roll
TPGY3466	Gray Tape 3/4" wide, 66' long	1 Roll
TPGR3466	Green Tape 3/4" wide, 66' long	1 Roll
TPOR3466	Orange Tape 3/4" wide, 66' long	1 Roll
TPRD3466	Red Tape 3/4" wide, 66' long	1 Roll
TPPR3466	Purple Tape 3/4" wide, 66' long	1 Roll
TPYL3466	Yellow Tape 3/4" wide, 66' long	1 Roll

Weatherproofing

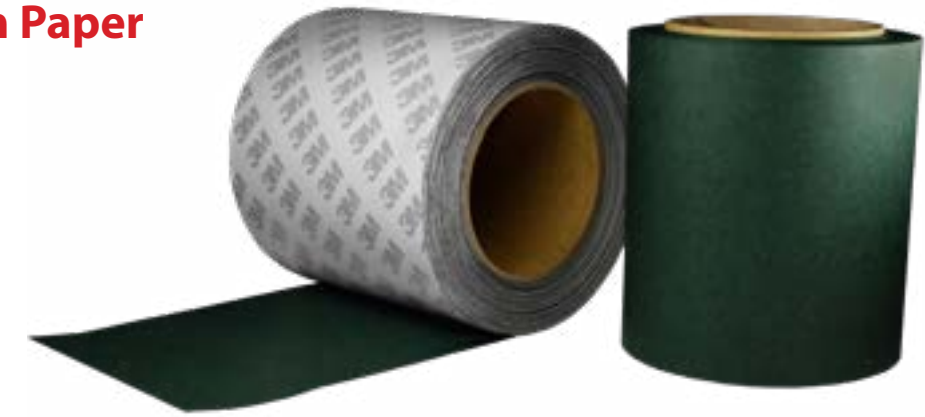
Weatherproofing Kits provide a long term seal against the ingress of dust and moisture.

- Protect connectors and splices from the elements
- Suitable for most buried and exposed connections



Weather Proofing Kits		
PART #	DESCRIPTION	QTY
WK3M700612	3M 700 Series Weather Proofing Kit, (6) Butyl Mastic, (1) 2" PVC Tape, (2) 3/4" Tape	1 Pack
WK3M33612	3M 33+ Weather Proofing Kit, (6) Butyl Mastic, (1) 2" Tape, (2) 3/4" Tape	1 Pack
3MTP333466	3M 33 Series 3/4" x 66' Vinyl Electrical Tape	1 Roll
3MTP7003466	3M 700 Series 3/4" x 66' Vinyl Electrical Tape	1 Roll
PVCTB0220	2" x 20' PVC Electrical Tape	1 Roll
BLTB0224	Butyl Mastic 2-1/2" x 24"	1 Roll
TPSFSB11215	Self Fusing Tape 1 1/2" x 15' Black	1 Roll
TPSFCSSB11215	Self Fusing Tape 1 1/2" x 15' Black with White Alignment Stripe	1 Roll

Dielectric Fish Paper



Fish Paper		
PART #	DESCRIPTION	QTY
FP350	Dielectric Fish Paper, 3" x 50' without Adhesive	1 Roll
FPA350	Dielectric Fish Paper, 3" x 50' with Adhesive	1 Roll
FP550	Dielectric Fish Paper, 5" x 50' without Adhesive	1 Roll
FPA550	Dielectric Fish Paper, 5" x 50' with Adhesive	1 Roll

Poly Wax String



Poly Wax String		
PART #	DESCRIPTION	QTY
PSW175	9 Ply, Poly Wax String 175 yards	1 Roll

Identification Tags



Identification Tags		
PART #	DESCRIPTION	QTY
FTGM145C	Mini-Gray Fiber, 145C Tag	1 Pack 100
FTGF145P	Gray Fiber, 145P Tag	1 Pack 100
FTWP145P	White Plastic, 145P Tag	1 Pack 100
FTBR114	Round Brass Tag 1-1/4"	1 Pack 100

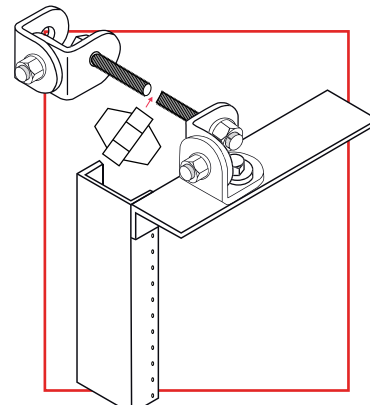
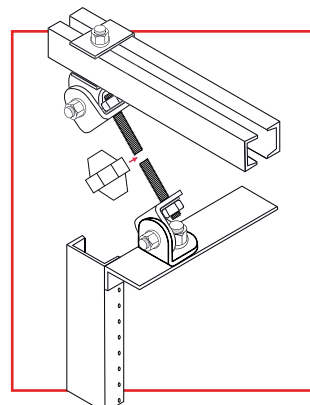
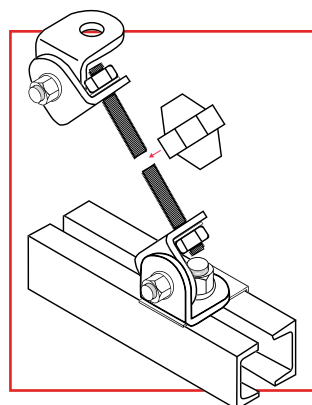
Universal Equipment Rack Stabilizer

- Yellow zinc finish
- Components available individually
- Universal design



Universal Equipment Rack Stabilizer Hardware		
PART #	DESCRIPTION	QTY
AYZ	Yellow Zinc Angle (Elephant Ear)	4
BUYZ	Yellow Zinc U Bracket	1
TRYZ5812	Yellow Zinc 5/8" X 12" Threaded Rod	1
TRYZ5824	Yellow Zinc 5/8" X 24" Threaded Rod	1
BYZ121716	Yellow Zinc 1/2" X 1-7/16" Bolt	3
NYZ12	Yellow Zinc 1/2" Nut	3
WLYZ12	Yellow Zinc 1/2" Split Lock Washer	3
WFYZ12	Yellow Zinc 1/2" Flat Washer	2
BYZ582	Yellow Zinc 5/8" X 2" Bolt	1
NYZ58	Yellow Zinc 5/8" Nut	5
NLYZ58	Yellow Zinc 5/8" Split Lock Washer	5
BBIB58	5/8" Tapped Insulator	1

Universal Equipment Rack Stabilizer Kit		
PART #	DESCRIPTION	QTY
SEISMICKIT	Universal Equipment Rack Stabilizer Kit (Includes all hardware listed above)	1 Kit



4 Post Support Brackets

Four post support brackets include all mounting hardware.

- Hot dipped galvanized



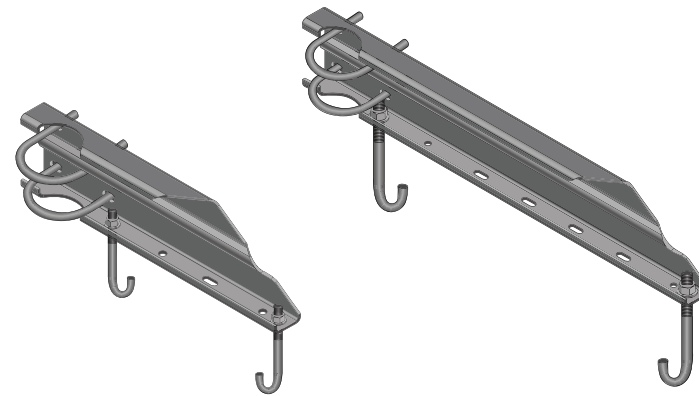
Double Post Support Bracket

PART #	DESCRIPTION	QTY
BSD24	24" Double Post Bridge Support Angle	1 Kit

Bridge Support Brackets

Bridge support brackets include all mounting hardware.

- Hot dipped galvanized
- Compatible with 12" and 24" safety grating

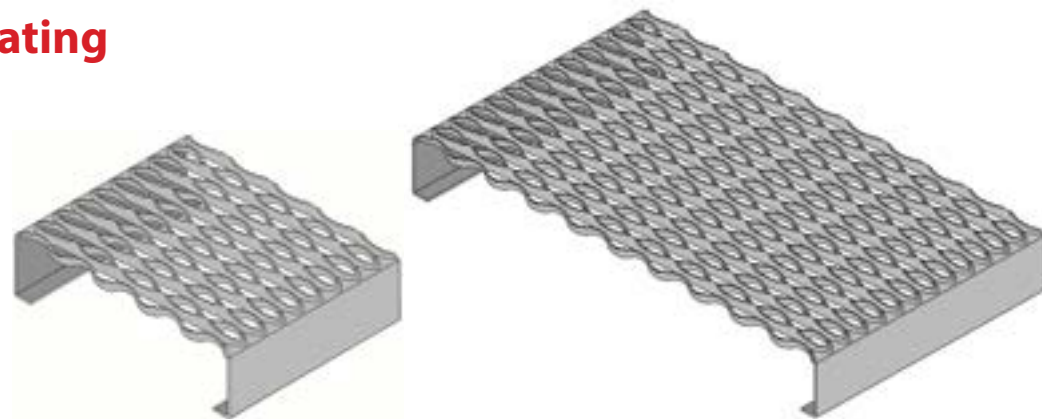


Single Post Support Bracket

PART #	DESCRIPTION	QTY
BSS12	12" Single Post Bridge Support	1 Kit
BSS24	24" Single Post Bridge Support	1 Kit

Safety Grating

- 12 Gauge
- 3" deep channel
- Galvanized steel

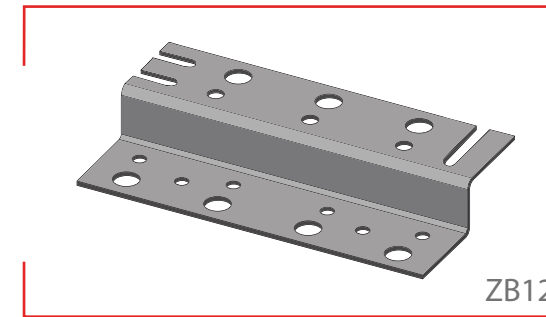


Safety Grating

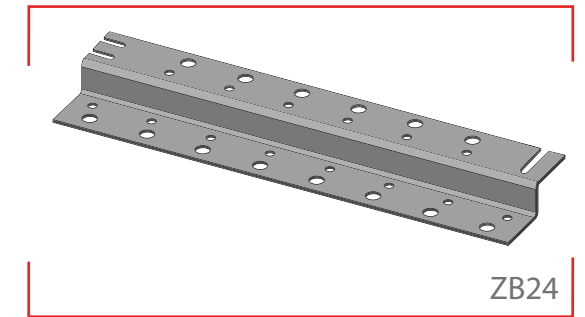
PART #	DESCRIPTION	QTY
SG05120	5" x 10' Safety Grating	1, 10' Stick
SG12120	12" x 10' Safety Grating	1, 10' Stick
SG24120	24" x 10' Safety Grating	1, 10' Stick

Hot Dipped Galvanized Brackets

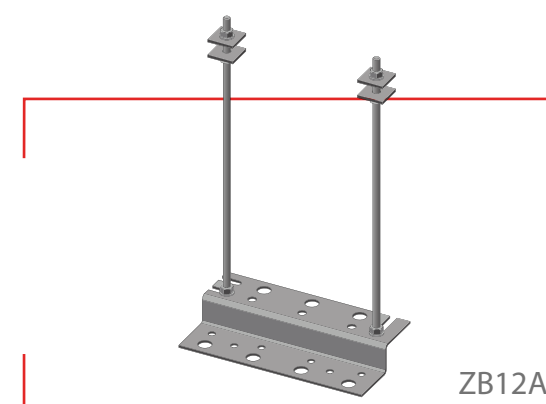
- Hot dipped galvanized
- Available with and without hardware
- Compatible with 12" and 24" safety grating



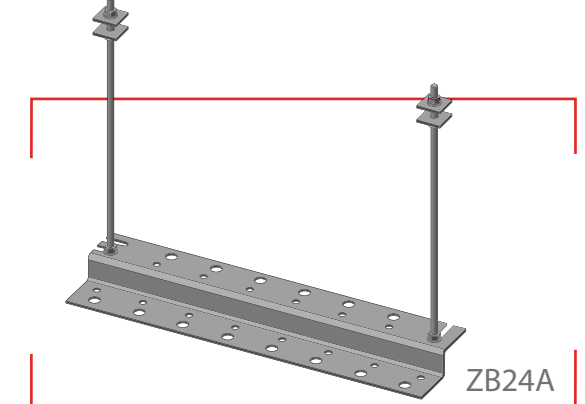
ZB12



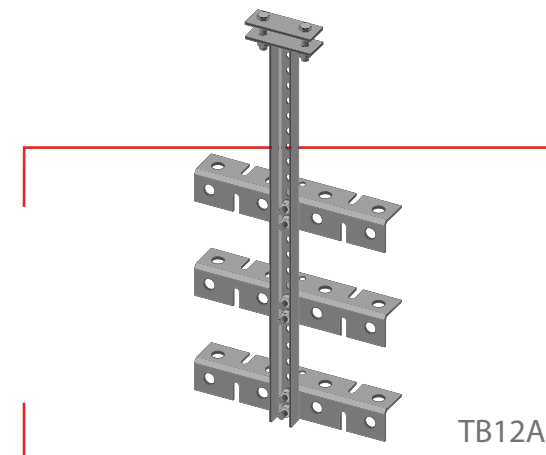
ZB24



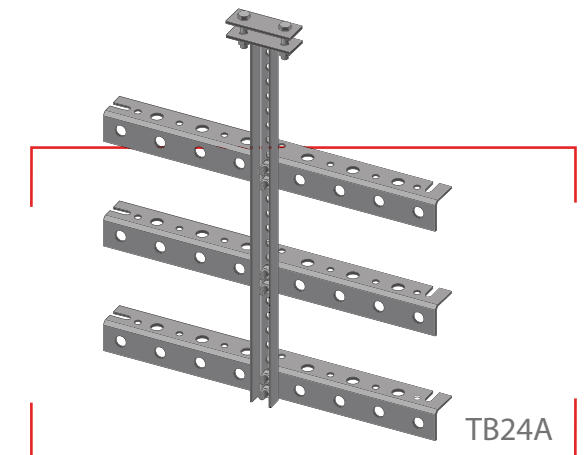
ZB12A



ZB24A



TB12A



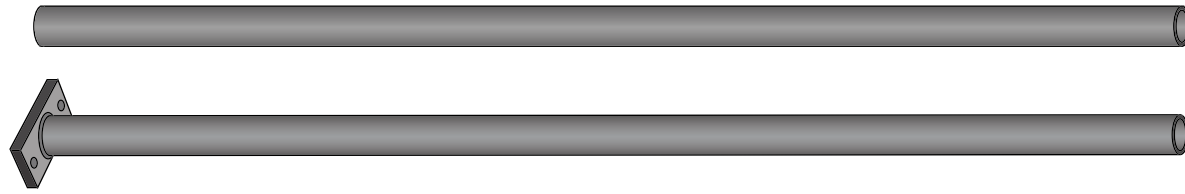
TB24A

Bracket Kits

PART #	DESCRIPTION	QTY
ZB12	12" Z-Bracket	1 Z-Bracket
ZB12A	12" Z-Bracket Assembly	1 Assembly
ZB24	24" Z-Bracket	1 Z-Bracket
ZB24A	24" Z-Bracket Assembly	1 Assembly
TB12A	12" T-Bracket Assembly 3 T-Bracket (Triple T)	1 Assembly
TB24A	24" T-Bracket Assembly 3 T-Bracket (Triple T)	1 Assembly

Bridge Posts

- 3-1/2" OD
- Direct burial
- Base show



Bridge Posts		
PART #	DESCRIPTION	QTY
BPB312158	Bridge Post, Direct Burial, 3-1/2" OD x 13'-6"	1 Post
BPS312126	Bridge Post, Base Shoe, 3-1/2" OD x 10'-6"	1 Post

2-3/8" Mast Pipe

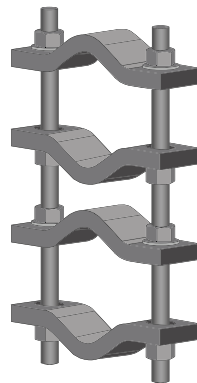
- Hot dipped galvanized
- Schedule 40



2-3/8" Mast Pipe		
PART #	DESCRIPTION	QTY
PG23848	2-3/8" OD x 48" (60.3mm OD x 1.2m)	1 Stick
PG23872	2-3/8" OD x 72" (60.3mm OD x 1.8m)	1 Stick
PG23896	2-3/8" OD x 96" (60.3mm OD x 2.4m)	1 Stick
PG238126	2-3/8" OD x 126" (60.3mm OD x 3.2m)	1 Stick
PG238170	2-3/8" OD x 170" (60.3mm OD x 4.3m)	1 Stick

Pipe to Pipe Clamps

- Hot dipped galvanized
- Hardware included

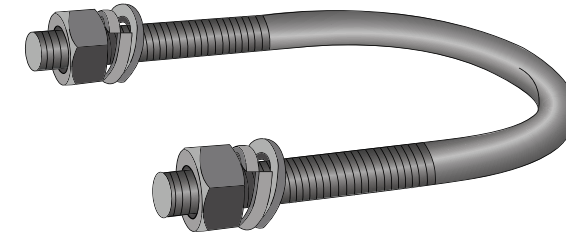


Pipe to Pipe Clamp Kits		
PART #	DESCRIPTION	QTY
PP14112312	Pipe to Pipe, 1-1/2" OD to 3-1/2" OD, Clamp Thickness 1/4"	1 Kit
PP12112312	Pipe to Pipe, 1-1/2" OD to 3-1/2" OD, Clamp Thickness 1/2"	1 Kit

U-Bolt Assemblies

U-Bolt assemblies include 2 nuts, 2 lock washers and 2 flat washers.

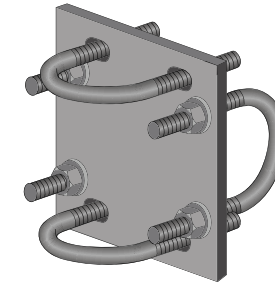
- Hot dipped galvanized



U-Bolt Assemblies		
PART #	DESCRIPTION	QTY
BUGA38212358	3/8" diameter, 2-1/2" throat, 3-5/8" length, 1-3/4" thread	1 U-Bolt Assembly
BUGA382124	3/8" diameter, 2-1/2" throat, 4" length, 2" thread	1 U-Bolt Assembly
BUGA122124	1/2" diameter, 2-1/2" throat, 4" length, 2" thread	1 U-Bolt Assembly
BUGA12212412	1/2" Diameter, 2-1/2" Throat, 4-1/2" Length, 2" Thread	1 U-Bolt Assembly
BUGA1235	1/2" diameter, 3" throat, 5" length, 2" thread	1 U-Bolt Assembly
BUGA123525	1/2" diameter, 3" throat, 5-1/4" length, 2" thread	1 U-Bolt Assembly
BUGA12358512	1/2" diameter, 3-5/8" throat, 5-1/2" length, 3" thread	1 U-Bolt Assembly

Cross Over Plates

- Hot dipped galvanized
- 3/8" thick plate
- Hardware included



Cross Over Plates		
PART #	DESCRIPTION	QTY
CP238238	Cross Over Plate, 2-3/8" OD to 2-3/8" OD	1 Kit
CP238278	Cross Over Plate, 2-3/8" OD to 2-7/8" OD	1 Kit
CP278278	Cross Over Plate, 2-7/8" OD to 2-7/8" OD	1 Kit
CP312238	Cross Over Plate, 3-1/2" OD to 2-3/8" OD	1 Kit

T-Bracket Mount

- Hot dipped galvanized
- Hardware included
- Compatible with round and angle members



T-Bracket Mount		
PART #	DESCRIPTION	QTY
CTB2410	T-Bracket Mount, 22 Runs with 10" Rods	1 Kit

Non Penetrating Roof Mount

Roof mounts include all hardware.

- Hot dipped galvanized
- Ballast not included
- Available in standard and light weight models
- 1/8" and 1/2" roof mount pads available

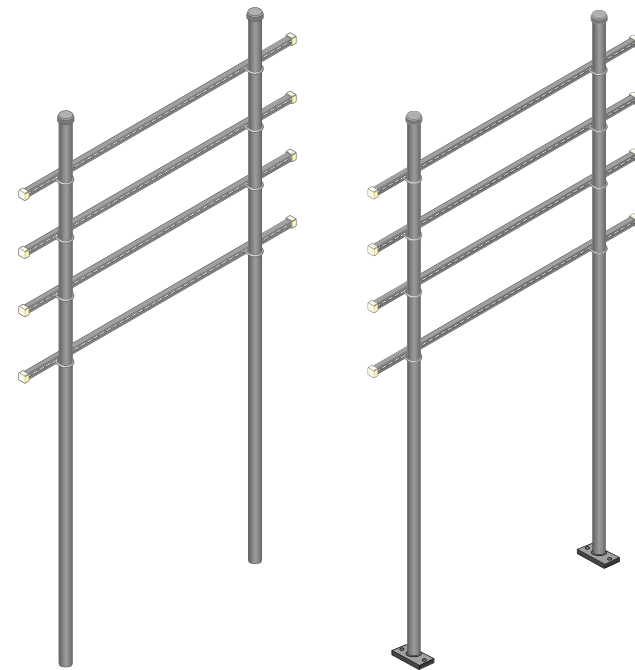


Single Non Penetrating Roof Mount		
PART #	DESCRIPTION	QTY
RMBS60	Non Pen Roof Mount, Single 2-3/8" x 60" Pipe	1 Kit
RMBSL60	Light Weight Non Pen Roof Mount, Single 1.34" x 60" Pipe	1 Kit
RMBS72	Non Pen Roof Mount, Single 2-3/8" x 72" Pipe	1 Kit
RMP183642	1/8" Thick Roof Mount Pad, 36" x 42" (1 pad required)	1 Pad
RMP121848	1/2" Thick Roof Mount Pad, 18" x 48" (2 pads required)	1 Pad

H-Frames

H-Frames includes 4, 10' sticks of HDG slotted strut with white end caps, pipe caps and u-bolts.

- All hardware included
- Direct burial and base shoe options



H-Frame		
PART #	DESCRIPTION	QTY
HFD4	4 Level H-Frame Direct Burial	1 Kit
HFS4	4 Level H-Frame Base Shoe	1 Kit

12" Bridge Kits

Bridge kits include brackets and all hardware

- 12 Gauge safety grating
- Available without trapeze and z-brackets



12" Bridge Kits		
PART #	DESCRIPTION	QTY
CB12D3Z	Cable Bridge Direct Burial, 12" x 10' (3 Z-Bracket)	1 Kit
CB12S3Z	Cable Bridge Base Shoe, 12" x 10' (3 Z-Bracket)	1 Kit

12" Bridge Kits		
PART #	DESCRIPTION	QTY
CB12DTB	Cable Bridge Direct Burial, 12" x 10' (3 Triple T-Brackets)	1 Kit
CB12STB	Cable Bridge Base Shoe, 12" x 10' (3 Triple T-Brackets)	1 Kit

24" Bridge Kits

Bridge kits include brackets and all hardware

- 12 Gauge safety grating
- Available without trapeze and z-brackets



24" Bridge Kits		
PART #	DESCRIPTION	QTY
CB24D3Z	Cable Bridge Direct Burial, 24" x 10' (3 Z-Bracket)	1 Kit
CB24S3Z	Cable Bridge Base Shoe, 24" x 10' (3 Z-Bracket)	1 Kit

24" Bridge Kits		
PART #	DESCRIPTION	QTY
CB24DTB	Cable Bridge Direct Burial, 24" x 10' (3 Triple T-Brackets)	1 Kit
CB24STB	Cable Bridge Base Shoe, 24" x 10' (3 Triple T-Brackets)	1 Kit

Slotted Strut Channel & Accessories

1-5/8" Slotted Strut Channel sold in ten foot sticks.

- Commercial grade
- 2" Hole spacing



Slotted Strut Channel		
PART #	DESCRIPTION	QTY
SSGLV158	Galvanized Slotted Strut Channel 1-5/8" x 10'	1, 10' Stick

Strut End Caps

- Caps for deep and shallow strut
- Available in red and white



Strut End Caps		
PART #	DESCRIPTION	QTY
CAPS78	7/8" Strut End Cap White	1 Cap
CAPS158	1-5/8" Strut End Cap White	1 Cap
CAPS78R	7/8" Strut End Cap Red	1 Cap
CAPS158R	1-5/8" Strut End Cap Red	1 Cap

Spring Nuts

- Compatible with deep strut
- Available in hot dipped galvanized



Zinc Spring Nuts		
PART #	DESCRIPTION	QTY
SPRNZ14	1/4" Spring Nut, Zinc Plated	1 Spring Nut
SPRNZ38	3/8" Spring Nut, Zinc Plated	1 Spring Nut
SPRNZ12	1/2" Spring Nut, Zinc Plated	1 Spring Nut

Square Washers

- Available in hot dipped galvanized



Square Washers		
PART #	DESCRIPTION	QTY
WSQZ14	1/4" Hole, 1-5/8" x 1-5/8" Square Washer, Zinc Plated	1 Square Washer
WSQZ38	3/8" Hole, 1-5/8" x 1-5/8" Square Washer, Zinc Plated	1 Square Washer
WSQZ12	1/2" Hole, 1-5/8" x 1-5/8" Square Washer, Zinc Plated	1 Square Washer

Galvanized Hex Lag Bolts

Galvanized Hex Lag Bolts		
PART #	DESCRIPTION	QTY
BLG384	Galvanized Hex Lag Bolt, 3/8"-7 x 4"	1 Bolt
BLG12212	Galvanized Hex Lag Bolt, 1/2"-6 x 2-1/2"	1 Bolt

- Zinc finish available



Lag Shields

Lag Shields		
PART #	DESCRIPTION	QTY
LAGSHIELD38	Hex Lag Bolt, 3/8"-7 x 4"	1 Shield
LAGSHIELD12	Hex Lag Bolt, 1/2"-6 x 2-1/2"	1 Shield



Wedge Anchors

Stainless Steel Wedge Anchors		
PART #	DESCRIPTION	QTY
WA0426	Wedge Anchor, 1/2" x 3-3/4"	1 Wedge Anchor
WA12412	Wedge Anchor, 1/2" x 4-1/2"	1 Wedge Anchor
WAZ586	Wedge Anchor, 5/8" x 6"	1 Wedge Anchor



Stainless Steel Fender Washers

Stainless Steel Fender Washers		
PART #	DESCRIPTION	QTY
WFS141	Stainless Steel Fender Washer, 1/4" x 1"	1 Fender Washer
WFS381	Stainless Steel Fender Washer, 3/8" x 1"	1 Fender Washer
WFS38118	Stainless Steel Fender Washer, 3/8" x 1-1/8"	1 Fender Washer
WFS38114	Stainless Steel Fender Washer, 3/8" x 1-1/4"	1 Fender Washer
WFS38112	Stainless Steel Fender Washer, 3/8" x 1-1/2"	1 Fender Washer



Stainless Steel Flat Washers

Stainless Steel Flat Washers		
PART #	DESCRIPTION	QTY
WFS14	Stainless Steel Flat Washer, 1/4"	1 Flat Washer
WFS38	Stainless Steel Flat Washer, 3/8"	1 Flat Washer
WFS38S	Stainless Steel Flat Washer, 3/8" Small OD	1 Flat Washer
WFS716	Stainless Steel Flat Washer, 7/16"	1 Flat Washer
WFS12	Stainless Steel Flat Washer, 1/2"	1 Flat Washer



Stainless Steel Lock Washers

Stainless Steel Lock Washers		
PART #	DESCRIPTION	QTY
WLS14	Stainless Steel Lock Washer, 1/4"	1 Lock Washer
WLS38	Stainless Steel Lock Washer, 3/8"	1 Lock Washer
WLS716	Stainless Steel Lock Washer, 7/16"	1 Lock Washer
WLS12	Stainless Steel Lock Washer, 1/2"	1 Lock Washer
WLS58	Stainless Steel Lock Washer, 5/8"	1 Lock Washer
WLS78	Stainless Steel Lock Washer, 7/8"	1 Lock Washer



Stainless Steel Toothed Washers

Stainless Steel Toothed Washers		
PART #	DESCRIPTION	QTY
WTS14	Stainless Steel Toothed Washer, 1/4"	1 Toothed Washer
WTS38	Stainless Steel Toothed Washer, 3/8"	1 Toothed Washer

- Galvanized and zinc finishes available
- Metric sizes available
- Available with



Hardware sold individually and packs of 100 (100 packs, use "-100" at end of part number)

Stainless Steel Hex Nuts

Stainless Steel Hex Nuts		
PART #	DESCRIPTION	QTY
NS14	Stainless Steel Hex Nut, 1/4"	1 Hex Nut
NS38	Stainless Steel Hex Nut, 3/8"	1 Hex Nut
NS716	Stainless Steel Hex Nut, 7/16"	1 Hex Nut
NS34	Stainless Steel Hex Nut, 3/4"	1 Hex Nut
NS78	Stainless Steel Hex Nut, 7/8"	1 Hex Nut



Stainless Steel Hex Bolts

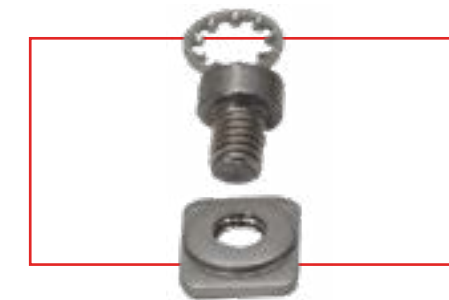
Stainless Steel Hex Bolts		
PART #	DESCRIPTION	QTY
BS1434	Stainless Steel Hex Head Bolt, 1/4"-20 x 3/4"	1 Hex Bolt
BS141	Stainless Steel Hex Head Bolt, 1/4"-20 x 1"	1 Hex Bolt
BS14114	Stainless Steel Hex Head Bolt, 1/4"-20 x 1-1/4"	1 Hex Bolt
BS14112	Stainless Steel Hex Head Bolt, 1/4"-20 x 1-1/2"	1 Hex Bolt
BS3834	Stainless Steel Hex Head Bolt, 3/8"-16 x 3/4"	1 Hex Bolt
BS381	Stainless Steel Hex Head Bolt, 3/8"-16 x 1"	1 Hex Bolt
BS38114	Stainless Steel Hex Head Bolt, 3/8"-16 x 1-1/4"	1 Hex Bolt
BS38112	Stainless Steel Hex Head Bolt, 3/8"-16 x 1-1/2"	1 Hex Bolt
BS383	Stainless Steel Hex Head Bolt, 3/8"-16 x 3"	1 Hex Bolt
BS38312	Stainless Steel Hex Head Bolt, 3/8"-16 x 3-1/2"	1 Hex Bolt
BS384	Stainless Steel Hex Head Bolt, 3/8"-16 x 4"	1 Hex Bolt
BS5163	Stainless Steel Hex Head Bolt, 5/16"-18 x 3"	1 Hex Bolt
BS12134	Stainless Steel Hex Head Bolt, 1/2"-13 x 1-3/4"	1 Hex Bolt
BS581	Stainless Steel Hex Head Bolt, 5/8"-11 x 1"	1 Hex Bolt
BS78212	Stainless Steel Hex Head Bolt, 7/8"-9 x 2-1/2"	1 Hex Bolt



- For no shank use "FT" at end of part number for fully threaded
- Galvanized and zinc finishes available
- Metric sizes available

Adapter Hardware

Stainless Steel Adapter Hardware		
PART #	DESCRIPTION	QTY
HKAA38	3/8" Stainless Steel Hardware Kit for Angle Adapters and Stand-Offs	1 Pack of 10
HKUI	3/8" Tapped Universal Insert Kit for Angle Adapters and Stand-Offs	1 Pack of 10



Hardware sold individually and packs of 100 (100 packs, use "-100" at end of part number)

Stainless Steel Threaded Rod

Stainless Steel Threaded Rod		
PART #	DESCRIPTION	QTY
TRS3804	Stainless Steel Threaded Rod, 3/8"-16 x 4"	1 Rod
TRS3806	Stainless Steel Threaded Rod, 3/8"-16 x 6"	1 Rod
TRS3808	Stainless Steel Threaded Rod, 3/8"-16 x 6"	1 Rod
TRS3810	Stainless Steel Threaded Rod, 3/8"-16 x 10"	1 Rod
TRS3812	Stainless Steel Threaded Rod, 3/8"-16 x 12"	1 Rod
TRS3824	Stainless Steel Threaded Rod, 3/8"-16 x 24"	1 Rod
TRS3836	Stainless Steel Threaded Rod, 3/8"-16 x 36"	1 Rod
TRS3872	Stainless Steel Threaded Rod 3/8"-16 x 72"	1 Rod
TRS581	Stainless Steel Threaded Rod 5/8"-11 x 1.189"	1 Rod

* Sold individually and packs of 10



Stainless Steel Threaded Rod Kit

Threaded Rod Kits include 10 threaded rods, 30 nuts, 30 lock washers and 20 flat washers.

Stainless Steel Threaded Rod Hardware Kits		
PART #	DESCRIPTION	QTY
TRHKS3804	Stainless Steel 3/8"-16 x 4" Rod	1 Pack of Rods w/ Hardware
TRHKS3806	Stainless Steel 3/8"-16 x 6" Rod	1 Pack of Rods w/ Hardware
TRHKS3808	Stainless Steel 3/8"-16 x 8" Rod	1 Pack of Rods w/ Hardware
TRHKS3810	Stainless Steel 3/8"-16 x 10" Rod	1 Pack of Rods w/ Hardware
TRHKS3812	Stainless Steel 3/8"-16 x 12" Rod	1 Pack of Rods w/ Hardware
TRHKS3824	Stainless Steel 3/8"-16 x 24" Rod	1 Pack of Rods w/ Hardware
TRHKS51605	Stainless Steel 5/16"-18 x 5" Rod	1 Pack of Rods w/ Hardware



Galvanized Threaded Rod

Stainless Steel Threaded Rod		
PART #	DESCRIPTION	QTY
TRG3804	Galvanized Threaded Rod, 3/8"-16 x 4"	1 Rod
TRG3806	Galvanized Threaded Rod, 3/8"-16 x 6"	1 Rod
TRG3808	Galvanized Threaded Rod, 3/8"-16 x 6"	1 Rod
TRG3810	Galvanized Threaded Rod, 3/8"-16 x 10"	1 Rod
TRG3812	Galvanized Threaded Rod, 3/8"-16 x 12"	1 Rod
TRG3824	Galvanized Threaded Rod, 3/8"-16 x 24"	1 Rod
TRG3836	Galvanized Threaded Rod, 3/8"-16 x 36"	1 Rod
TRG3872	Galvanized Threaded Rod, 3/8"-16 x 72"	1 Rod
TRG5812	Galvanized Threaded Rod, 5/8"-11 x 12"	1 Rod

* Sold individually and packs of 10



Galvanized Threaded Rod Kit

Galvanized Threaded Rod Hardware Kits		
PART #	DESCRIPTION	QTY
TRHKG3804	Galvanized 3/8"-16 x 4" Rod	1 Pack of Rods w/ Hardware
TRHKG3806	Galvanized 3/8"-16 x 6" Rod	1 Pack of Rods w/ Hardware
TRHKG3808	Galvanized 3/8"-16 x 8" Rod	1 Pack of Rods w/ Hardware
TRHKG3810	Galvanized 3/8"-16 x 10" Rod	1 Pack of Rods w/ Hardware
TRHKG3812	Galvanized 3/8"-16 x 12" Rod	1 Pack of Rods w/ Hardware
TRHKG5812	Galvanized 5/8"-11 x 12" Rod	1 Pack of Rods w/ Hardware



Mounting Bracket

Threaded Rod Mounting Bracket		
PART #	DESCRIPTION	QTY
TRMB38	Threaded Rod Mounting Bracket 3/8"	1 Pack of 10

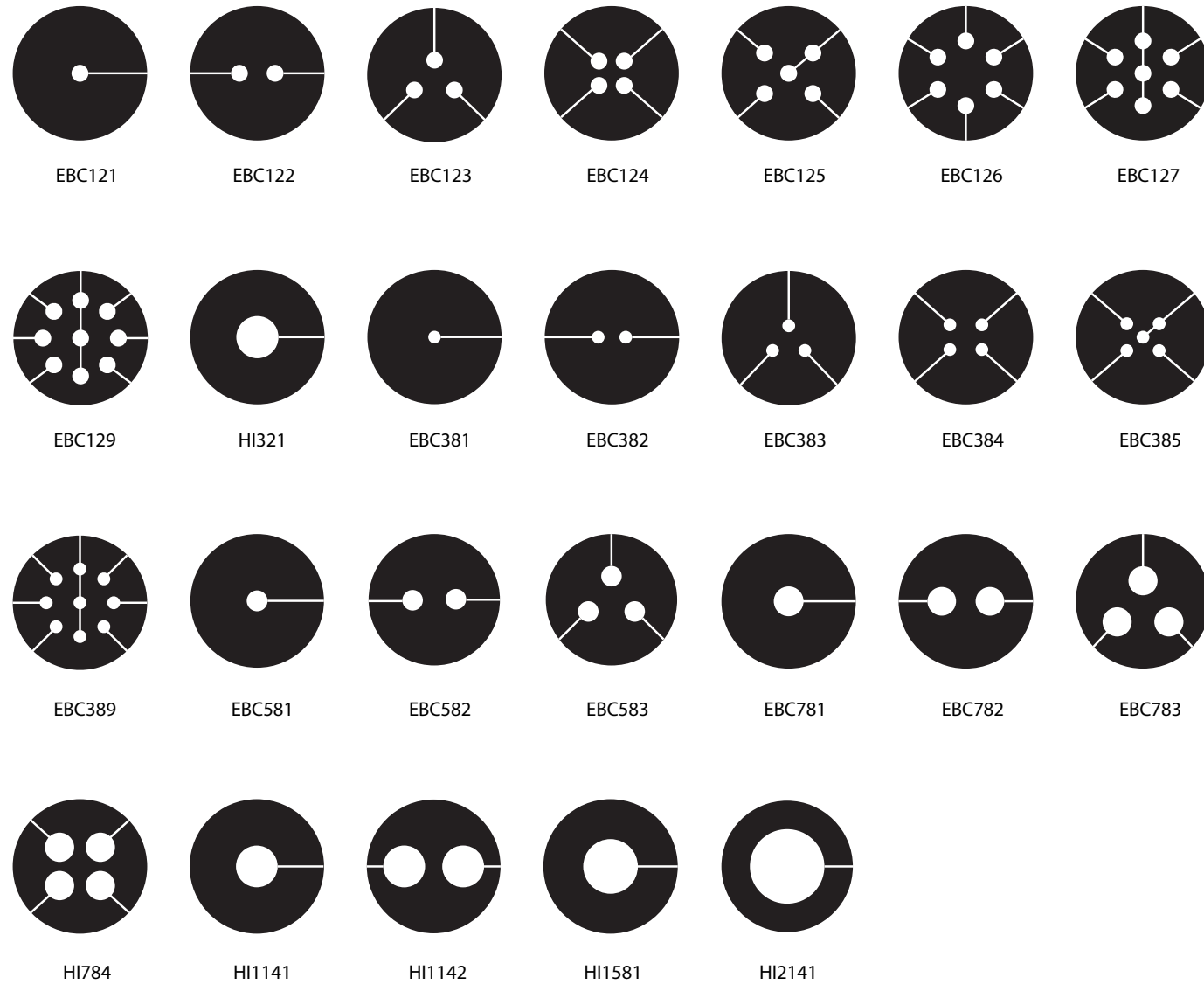


Threaded Rod Caps

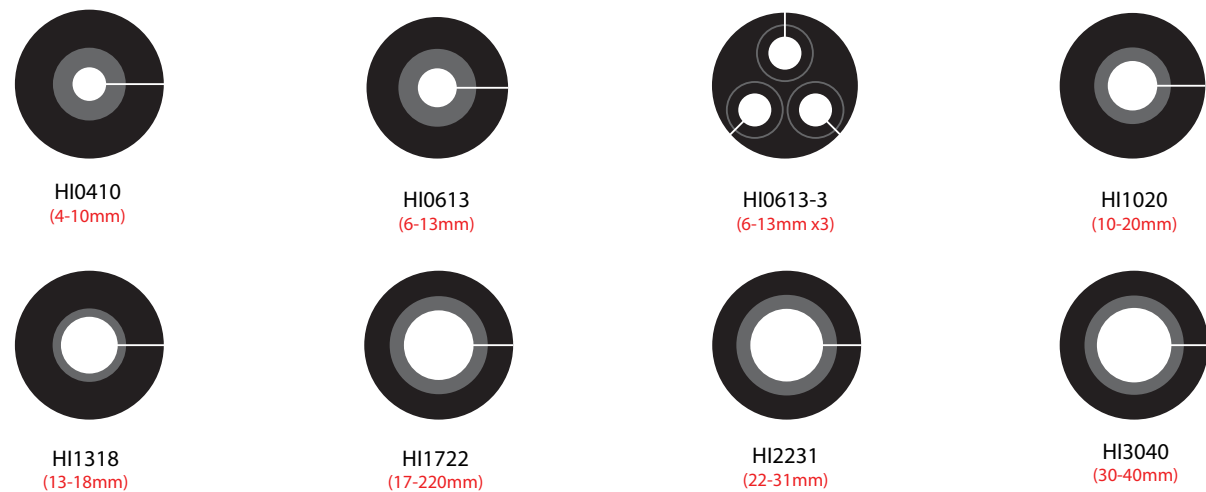
Threaded Rod Caps		
PART #	DESCRIPTION	QTY
CAPR38B	Cap, Rod, 3/8" Black	1 Cap
CAPR38R	Cap, Rod, 3/8" Red	1 Cap



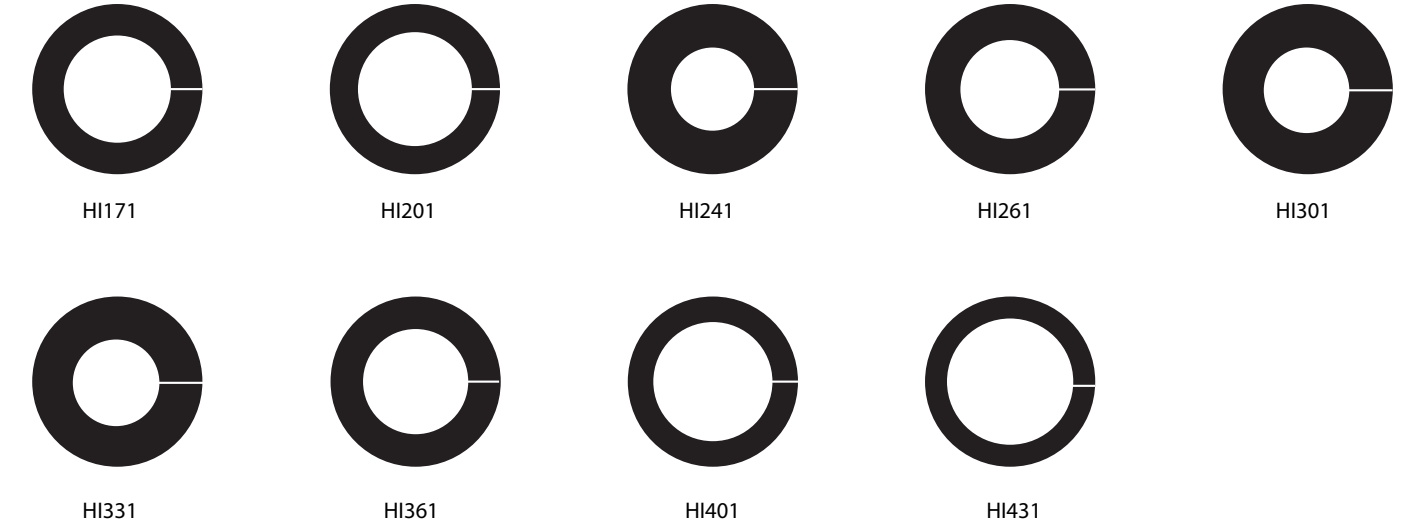
Cushion Hole Configurations



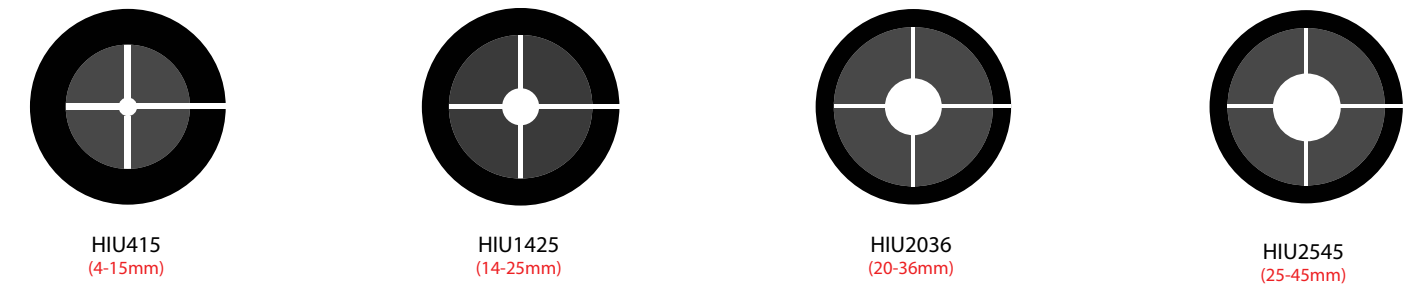
Universal Hanger Inserts Hole Configurations



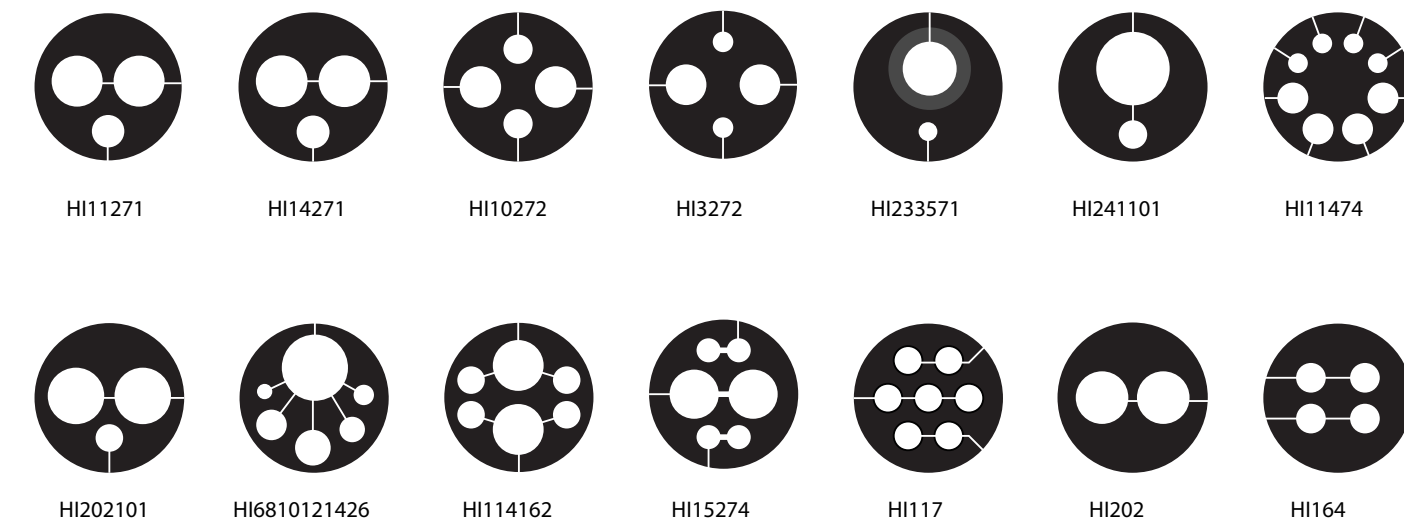
Single Hole Hanger Inserts Hole Configurations



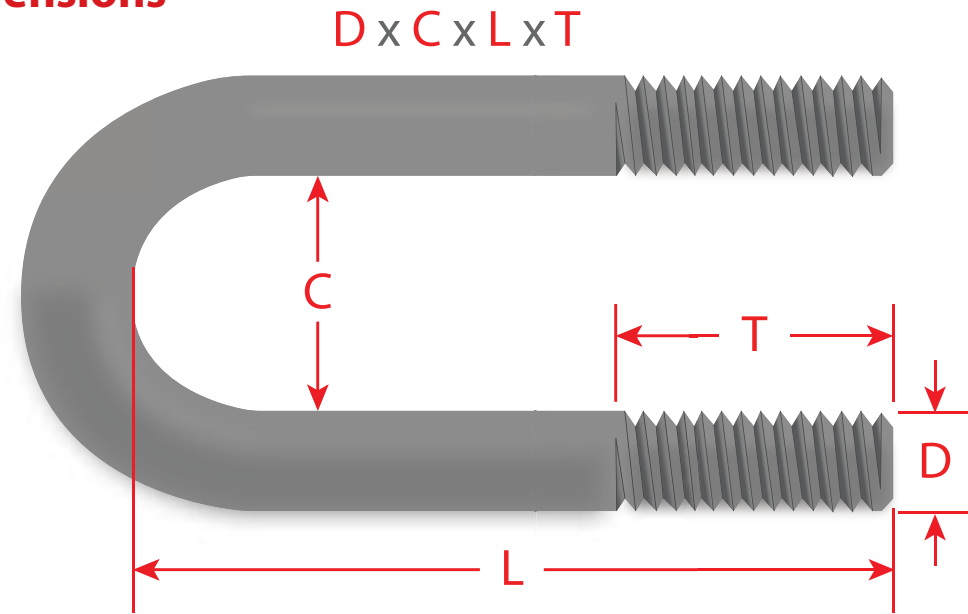
Wide Range Universal Hanger Inserts Hole Configurations



Multi Hole Universal Hanger Inserts Hole Configurations



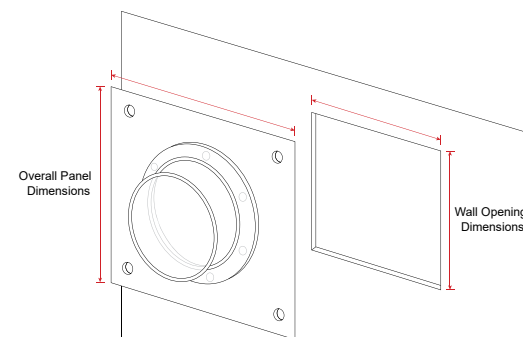
U-Bolt Dimensions



U-Bolt Assemblies					
PART #	DESCRIPTION	C	D	L	T
BUGA38212358	3/8" diameter, 2-1/2" throat, 3-5/8" length, 1-3/4" thread	2-1/2"	3/8"	3-5/8"	1-3/4"
BUGA382124	3/8" diameter, 2-1/2" throat, 4" length, 2" thread	2-1/2"	3/8"	4"	2"
BUGA122124	1/2" diameter, 2-1/2" throat, 4" length, 2" thread	2-1/2"	1/2"	4"	2"
BUGA12212412	1/2" diameter, 2-1/2" throat, 4-1/2" length, 2" thread	2-1/2"	1/2"	4-1/2"	2"
BUGA1235	1/2" diameter, 3" throat, 5" length, 2" thread	3"	1/2"	5"	2"
BUGA123525	1/2" diameter, 3" throat, 5-1/4" length, 2" thread	3"	1/2"	5-1/4"	2"
BUGA12358512	1/2" diameter, 3-5/8" throat, 5-1/2" length, 3" thread	3-5/8"	1/2"	5-1/2"	3"

Entry Panels 4" Port			
PART #	DESCRIPTION	WALL OPENING	OVERALL SIZE
E220	4" 1 port, 1 x 1	4" x 4"	7" x 7"
E1448	4" 2 port, 1 x 2	4" x 10"	9.5" x 15.5"
E1635	4" 3 port, 1 x 3	4" x 15"	9.5" x 20"
E575	4" 4 port, 1 x 4	4" x 20.5"	9.5" x 25.5"
E1477	4" 6 port, 1 x 6	4" x 30.5"	9.5" x 36.5"
E1199	4" 4 port, 2 x 2	9.5" x 11"	17.5" x 17.5"
E1449	4" 6 port, 2 x 3	9.5" x 15"	17.5" x 23"
E576	4" 8 port, 2 x 4	9.5" x 20.5"	17.5" x 25.5"
E1297	4" 10 port, 2 x 5	9.5" x 24.5"	17.5" x 31"
E1336	4" 12 port, 2 x 6	9.5" x 31.5"	17.5" x 39.5"
E1033	4" 9 port, 3 x 3	15" x 15"	23" x 23"
E1118	4" 12 port, 3 x 4	15" x 20.5"	25.5" x 25.5"
E1333	4" 18 port, 3 x 6	15" x 31.5"	25.5" x 39.5"
E1447	4" 16 port, 4 x 4	20.5" x 20.5"	25.5" x 25.5"
E1340	4" 24 port, 4 x 6	20.5" x 31.5"	31" x 39.5"

Entry Panel Wall Dimensions



Entry Panels 5" Port			
PART #	DESCRIPTION	WALL OPENING	OVERALL SIZE
E549	5" 1 port, 1 x 1	5" x 5"	9.5" x 9.5"
E550	5" 2 port, 1 x 2	5" x 12"	9.5" x 17.5"
E551	5" 3 port, 1 x 3	5" x 19"	9.5" x 25.5"
E552	5" 4 port, 2 x 2	12" x 12"	17.5" x 17.5"
E553	5" 6 port, 2 x 3	12" x 26"	17.5" x 25.5"

Conversion Chart

FRAC.	DEC.	MM.	FRAC.	DEC.	MM.	FRAC.	DEC.	MM.	FRAC.	DEC.	MM.
1/64	0.0156	0.396	17/64	0.2650	6.746	33/64	0.5156	13.096	49/64	0.7656	19.446
1/32	0.0313	0.793	9/32	0.2812	7.143	17/32	0.5312	13.493	25/32	0.7812	19.843
3/64	0.0469	1.190	19/64	0.2969	7.540	35/64	0.5469	13.890	51/64	0.7969	20.240
1/16	0.0625	1.587	5/16	0.3125	7.937	9/16	0.5625	14.287	13/16	0.8125	20.637
5/64	0.0781	1.984	21/64	0.3281	8.334	37/64	0.5781	14.684	53/64	0.8125	21.034
3/32	0.0937	2.381	11/32	0.3437	8.731	19/32	0.5937	15.081	27/32	0.8437	21.431
7/64	0.1094	2.778	23/64	0.3594	9.128	39/64	0.6094	15.478	55/64	0.8594	21.828
1/8	0.1250	3.175	3/8	0.3750	9.525	5/8	0.6250	15.875	7/8	0.8750	22.225
9/64	0.1406	3.571	25/64	0.3906	9.921	41/64	0.6406	16.271	57/64	0.8906	22.621
5/32	0.1562	3.968	13/32	0.4062	10.318	21/32	0.6562	16.668	29/32	0.9062	23.018
11/64	0.1719	4.365	27/64	0.4219	10.715	43/64	0.6719	17.065	59/64	0.9219	23.415
3/16	0.1875	4.762	7/16	0.4375	11.112	11/16	0.6875	17.462	15/16	0.9375	23.812
13/64	0.2031	5.159	29/64	0.4531	11.509	45/64	0.7031	17.859	61/64	0.9531	24.209
7/32	0.2187	5.556	15/32	0.4687	11.906	23/32	0.7187	18.256	31/32	0.9687	24.606
15/64	0.2344	5.953	31/64	0.4844	12.303	47/64	0.7344	18.653	63/64	0.9844	25.003
1/4	0.2500	6.350	1/2	0.5000	12.700	3/4	0.7500	19.050	1	1.000	25.400

Ground Lug Description



- Ground Lug
- Wire Size: #14 - #10 up to 500 kcmil
- Wire Types: (STR) stranded wire, (SLD) solid wire, (FLX) flex wire
- Window Option: (blank) without window, (I) with window
- Mounting Holes: (1) one mounting hole, (2) two mounting holes
- Mounting Hardware: #10 up to 1/2" mounting hardware
- Hole Spacing: 5/8" up to 1" bolt spacing
- Special Attributes: (90) 90° angled barrel, (NT) narrow tang, (U) Universal bolt spacing 3/4" - 1" * only use if applies

Terms and Conditions

MIROC has made every effort to ensure the accuracy of the information provided in this catalog. MIROC does not guarantee that the information is accurate. MIROC reserves the right to make adjustments to this information at any time without notice.

Shipping

All shipments are F.O.B. unless specified otherwise. If freight is included with purchase, we always use the most effective form of delivery.

Terms

All orders are COD unless the customer is approved for credit terms, or a distribution agreement is in place.

Returns

Please contact your sales representative in advance for RMA before returning products. Custom manufactured products are non-returnable and non-cancelable.

Limitation of liability

In no event shall MIROC be liable, whether in contract or in tort (including negligence) for damages in excess of the purchase price of the product, or for any indirect, incidental, special or consequential damages of any kind, or loss of revenue or for profits, loss of business or other financial loss arising out of or in connection with the ability or inability to use the product to the full extent these damages may be disclaimed by law.

Die Color & Wire Size	
Color	Wire Size
Yellow	#12- #10 AWG
Red	#8 AWG
Blue	#6 AWG
Gray	#4 AWG
Brown	#2 AWG
White	#2 Solid AWG
Green	#1 AWG
Pink	1/0 AWG
Black	2/0 AWG
Purple	4/0 AWG
Brown	500 KCMIL

MIROC

www.miroc.com

Albuquerque, NM 505.343.5371 sales@miroc.com

© 2020 MIROC, LLC. All rights reserved