

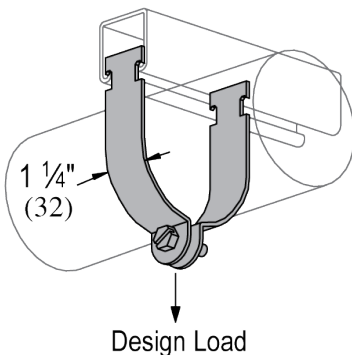
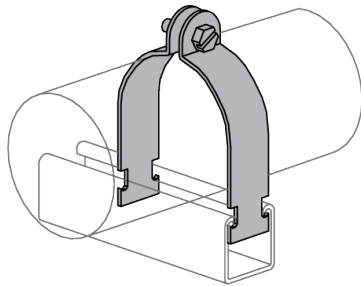
Material:

- The steel meets or exceeds the physical properties of ASTM A1011 GR 33, except with SS4, SS6 & AL finishes.

Finishes:

- **Electrogalvanized (EG):** Conforms to ASTM B633, Type III SC1
- **Hot Dip Galvanized (HD):** Conforms to ASTM A123 or A153
- **Perma-Gold (GD):** Conforms to ASTM B633, Type II SC1
- **Stainless Steel, Type 304 (SS4):** ASTM A240, Type 304 *
- **Stainless Steel, Type 316 (SS6):** ASTM A240, Type 316 *
- **Aluminum (AL):** TBD

Material / Finish	Part Number Suffix	Pipe Clamp Material / Finish	Fasteners (Screw & Nut) Material / Finish	Example
Electro-galvanized	EG	EG	EG	OD 1/2 EG
Hot-dipped galvanized	HD	HD	SS4	OD 1/2 HD
Stainless Steel Type 304	SS4	SS4	SS4	OD 1/2 SS4
Stainless Steel Type 316	SS6	SS6	SS4	OD 1/2 SS6
Aluminum	AL	AL	AL	OD 1/2 AL



Part No.	O.D. Size	Finish	Product Weight / Piece (lbs)
OD 1"	1" (25.4)	EG	0.14
OD 1"	1" (25.4)	HD	0.148
OD 1"	1" (25.4)	SS4	0.14
OD 1"	1" (25.4)	SS6	0.14
OD 1"	1" (25.4)	AL	0.07
OD 1/2"	1/2" (12.7)	EG	0.09
OD 1/2"	1/2" (12.7)	HD	0.095
OD 1/2"	1/2" (12.7)	SS4	0.09
OD 1/2"	1/2" (12.7)	SS6	0.09
OD 1/2"	1/2" (12.7)	AL	0.03
OD 1/4"	1/4" (6.4)	EG	0.08
OD 1/4"	1/4" (6.4)	HD	0.085
OD 1/4"	1/4" (6.4)	SS4	0.08
OD 1/4"	1/4" (6.4)	SS6	0.08
OD 1/4"	1/4" (6.4)	AL	0.027
OD 1-1/2"	1-1/2" (38.1)	EG	0.18
OD 1-1/2"	1-1/2" (38.1)	HD	0.18
OD 1-1/2"	1-1/2" (38.1)	SS4	0.18
OD 1-1/2"	1-1/2" (38.1)	AL	0.07
OD 1-1/4"	1-1/4" (31.8)	EG	0.16
OD 1-1/4"	1-1/4" (31.8)	HD	0.16
OD 1-1/4"	1-1/4" (31.8)	SS4	0.16
OD 1-1/4"	1-1/4" (31.8)	SS6	0.16
OD 1-1/4"	1-1/4" (31.8)	AL	0.06
OD 1-1/8"	1-1/8" (28.6)	EG	0.15
OD 1-1/8"	1-1/8" (28.6)	HD	0.16
OD 1-1/8"	1-1/8" (28.6)	SS4	0.15
OD 1-1/8"	1-1/8" (28.6)	AL	0.05
OD 1-3/8"	1-3/8" (34.9)	EG	0.17
OD 1-3/8"	1-3/8" (34.9)	HD	0.18
OD 1-3/8"	1-3/8" (34.9)	SS4	0.17
OD 1-3/8"	1-3/8" (34.9)	AL	0.057
OD 1-5/8"	1-5/8" (41.3)	EG	0.19
OD 1-5/8"	1-5/8" (41.3)	HD	0.2
OD 1-5/8"	1-5/8" (41.3)	SS4	0.19
OD 1-5/8"	1-5/8" (41.3)	AL	0.06
OD 1-7/8"	1-7/8" (47.6)	EG	0.28
OD 1-7/8"	1-7/8" (47.6)	SS4	0.28
OD 1-7/8"	1-7/8" (47.6)	SS6	0.28
OD 1-7/8"	1-7/8" (47.6)	AL	0.12
OD 2"	2" (50.8)	EG	0.31
OD 2"	2" (50.8)	HD	0.31
OD 2"	2" (50.8)	SS4	0.31
OD 2"	2" (50.8)	AL	0.1
OD 2-1/2"	2-1/2" (63.5)	EG	0.35
OD 2-1/2"	2-1/2" (63.5)	HD	0.42

OD 2-1/2"	2-1/2" (63.5)	SS4	0.35
OD 2-1/2"	2-1/2" (63.5)	AL	0.11
OD 2-1/4"	2-1/4 (57.2)	EG	0.33
OD 2-1/4"	2-1/4 (57.2)	SS4	0.33
OD 2-1/8"	2-1/8" (54.0)	EG	0.32
OD 2-1/8"	2-1/8" (54.0)	HD	0.34
OD 2-1/8"	2-1/8" (54.0)	SS4	0.32
OD 2-1/8"	2-1/8" (54.0)	AL	0.107
OD 2-3/4"	2-3/4" (69.9)	EG	0.38
OD 2-3/4"	2-3/4" (69.9)	SS4	3.8
OD 2-5/8"	2-5/8" (66.7)	EG	0.37
OD 2-5/8"	2-5/8" (66.7)	SS4	0.37
OD 3"	3" (76.2)	EG	0.41
OD 3"	3" (76.2)	SS4	0.41
OD 3"	3" (76.2)	AL	0.15
OD 3/4"	3/4" (19.1)	EG	0.11
OD 3/4"	3/4" (19.1)	HD	0.117
OD 3/4"	3/4" (19.1)	SS4	0.11
OD 3/4"	3/4" (19.1)	SS6	0.11
OD 3/4"	3/4" (19.1)	AL	0.037
OD 3/8"	3/8" (9.5)	EG	0.08
OD 3/8"	3/8" (9.5)	HD	0.085
OD 3/8"	3/8" (9.5)	SS4	0.08
OD 3/8"	3/8" (9.5)	SS6	0.08
OD 3/8"	3/8" (9.5)	AL	0.028
OD 3-1/4"	3-1/4" (82.6)	EG	0.45
OD 3-1/4"	3-1/4" (82.6)	AL	0.17
OD 3-1/8"	3-1/8" (79.4)	EG	0.43
OD 3-1/8"	3-1/8" (79.4)	SS4	0.43
OD 3-1/8"	3-1/8" (79.4)	AL	0.17
OD 3-3/4"	3-3/4" (95.3)	EG	0.58
OD 3-3/8"	3-3/8" (85.7)	EG	0.46
OD 3-5/8"	3-5/8" (92.1)	EG	0.56
OD 3-5/8"	3-5/8" (92.1)	HD	0.59
OD 3-5/8"	3-5/8" (92.1)	SS4	0.56
OD 3-7/8"	3-7/8" (98.4)	EG	0.6
OD 4-1/4"	4-1/4" (108.0)	EG	0.64
OD 4-1/4"	4-1/4" (108.0)	SS4	0.64
OD 4-1/8"	4-1/8" (104.8)	EG	0.62
OD 4-1/8"	4-1/8" (104.8)	SS4	0.62
OD 4-3/4"	4-3/4" (120.7)	EG	0.72
OD 4-3/4"	4-3/4" (120.7)	HD	0.77
OD 4-3/8"	4-3/8" (111.1)	EG	0.66
OD 4-5/8"	4-5/8" (117.5)	EG	0.7
OD 4-5/8"	4-5/8" (117.5)	HD	0.74
OD 4-5/8"	4-5/8" (117.5)	SS4	0.7
OD 4-5/8"	4-5/8" (117.5)	AL	0.25
OD 4-7/8"	4-7/8" (123.8)	EG	0.73
OD 5"	5" (127.0)	EG	0.74
OD 5"	5" (127.0)	HD	0.79
OD 5"	5" (127.0)	SS4	0.74
OD 5"	5" (127.0)	AL	0.26
OD 5/8"	5/8" (15.9)	EG	0.1
OD 5/8"	5/8" (15.9)	HD	0.106
OD 5/8"	5/8" (15.9)	SS4	0.1
OD 5/8"	5/8" (15.9)	SS6	0.1
OD 5/8"	5/8" (15.9)	AL	0.033
OD 5-1/2"	5-1/2" (140.0)	EG	0.79
OD 5-1/2"	5-1/2" (140.0)	SS4	0.79
OD 5-1/4"	5-1/4" (133.4)	EG	0.77
OD 5-1/8"	5-1/8" (130.2)	EG	0.76
OD 5-3/4"	5-3/4" (146.1)	EG	0.9

OD 5-3/4"	5-3/4" (146.1)	SS4	0.9
OD 5-3/8"	5-3/8" (136.5)	EG	0.78
OD 5-5/8"	5-5/8" (142.9)	EG	0.88
OD 5-7/8"	5-7/8" (149.2)	EG	0.92
OD 6"	6" (152.4)	EG	0.94
OD 6"	6" (152.4)	SS4	0.94
OD 6"	6" (152.4)	AL	0.35
OD 6-1/2"	6-1/2" (165.1)	EG	1
OD 6-1/4"	6-1/4" (158.8)	EG	0.98
OD 6-1/8"	6-1/8" (155.6)	EG	0.96
OD 6-3/4"	6-3/4" (171.5)	EG	1.04
OD 6-3/8"	6-3/8" (161.9)	EG	0.99
OD 6-7/8"	6-7/8" (174.6)	EG	1.06
OD 7"	7" (177.8)	EG	1.08
OD 7/8"	7/8" (22.2)	EG	0.12
OD 7/8"	7/8" (22.2)	HD	0.127
OD 7/8"	7/8" (22.2)	SS4	0.12
OD 7/8"	7/8" (22.2)	SS6	0.12
OD 7/8"	7/8" (22.2)	AL	0.04
OD 7-1/2"	7-1/2" (190.5)	EG	1.16
OD 7-1/4"	7-1/4" (184.2)	EG	1.12
OD 7-1/8"	7-1/8" (181.0)	EG	1.1
OD 7-3/4"	7-3/4" (196.9)	EG	1.19
OD 7-3/8"	7-3/8" (187.3)	EG	1.14
OD 7-5/8"	7-5/8" (193.7)	EG	1.17
OD 7-7/8"	7-7/8" (200.0)	EG	1.21
OD 8"	8" (203.2)	EG	1.23
OD 8-1/2"	8-1/2" (215.9)	EG	1.29
OD 8-1/4"	8-1/4" (209.6)	EG	1.26
OD 8-1/8"	8-1/8" (206.4)	EG	1.25
OD 8-3/8"	8-3/8" (212.7)	EG	1.28