



18-8 Stainless Steel Coupling Nut

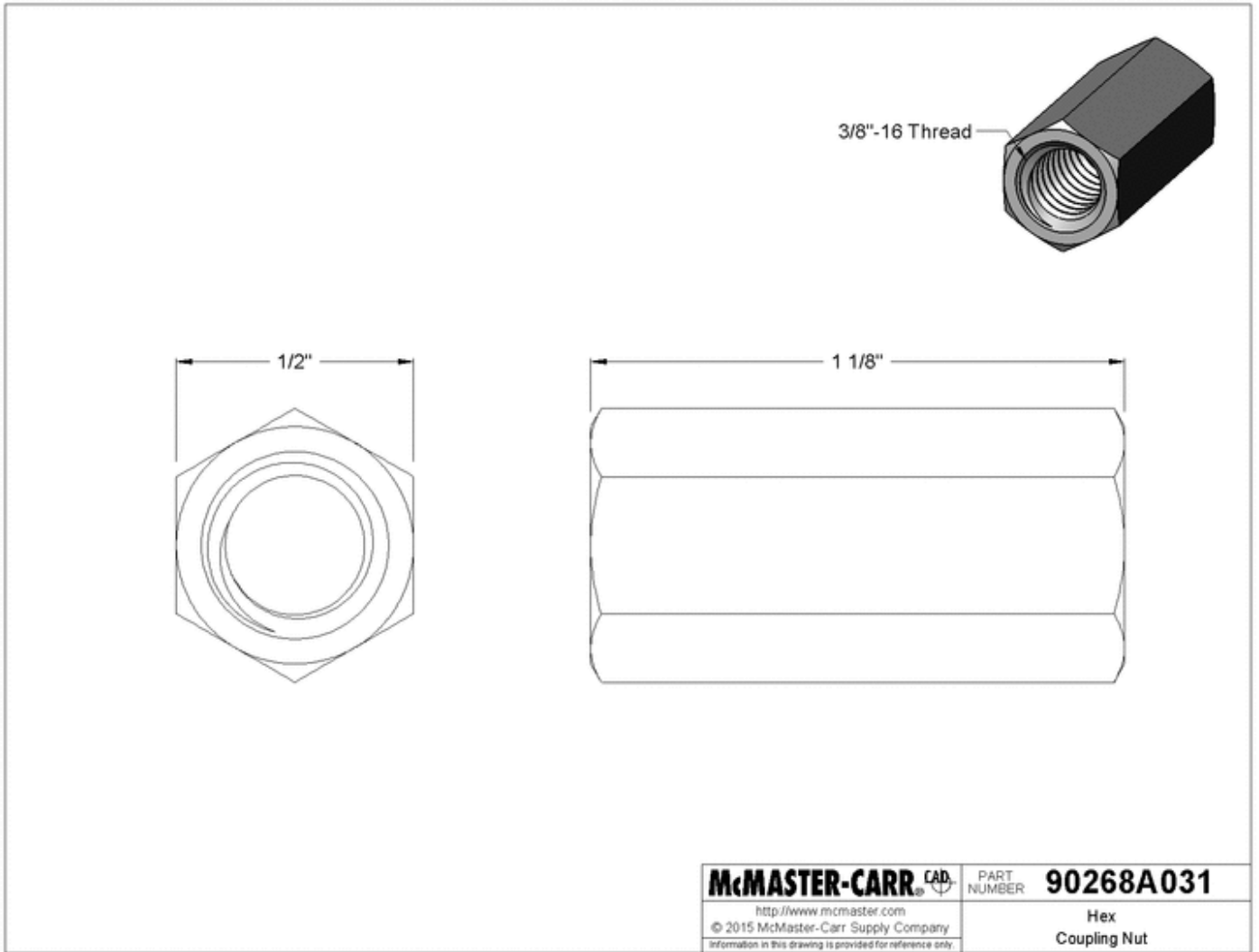
3/8"-16 Thread Size, 1-1/8" Long

1-9 Each \$1.38
 10 or more \$1.18
 90268A031



Material	18-8 Stainless Steel
Thread Size	3/8"-16
Thread Type	UNC
Thread Spacing	Coarse
Thread Fit	Class 2B
Thread Direction	Right Hand
Length	1 1/8"
Width	1/2"
Threading	Fully Threaded
Drive Style	External Hex
Nut Type	Coupling, Hex
Coupling Nut Profile	Standard
System of Measurement	Inch
RoHS	RoHS 3 (2015/863/EU) Compliant
REACH	REACH (EC 1907/2006) (06/25/2020, 209 SVHC) Compliant
DFARS	Not Specialty Metals Compliant
Country of Origin	Taiwan

These coupling nuts have good chemical resistance and may be mildly magnetic. Also known as extension nuts, use them to connect and extend threaded rods.



The information in this 3-D model is provided for reference only.