

**Material:**

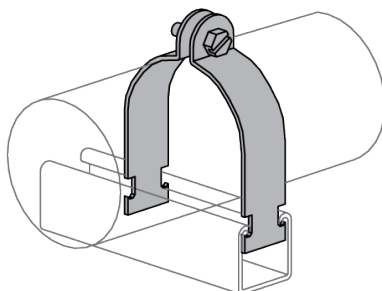
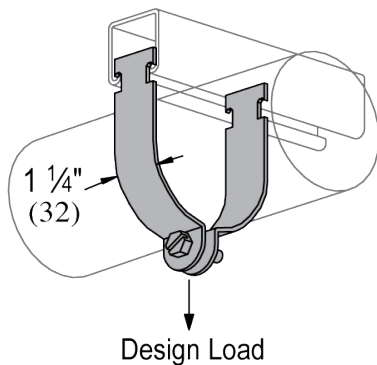
- The steel meets or exceeds the physical properties of ASTM A1011 GR 33, except with SS, ST & AL finishes.

**Finishes:**

- **Electrogalvanized (EG):** Conforms to ASTM B633, Type III SC1
- **Hot Dip Galvanized (HD):** Conforms to ASTM A123 or A153
- **Perma-Gold (GD):** Conforms to ASTM B633, Type II SC1
- **Stainless Steel, Type 304 (SS4):** ASTM A240, Type 304 \*
- **Stainless Steel, Type 316 (SS6):** ASTM A240, Type 316 \*
- **Aluminum (AL):** TBD

**Material & Finish Combinations:**

Material / Finish	Part Number Suffix	Pipe Clamp Material / Finish	Fasteners (Screw & Nut) Material / Finish	Example
Electro-galvanized	EG	EG	EG	RIG 1/2 EG
Hot-dipped galvanized	HD	HD	SS	RIG 1/2 HD
Stainless Steel Type 304	SS4	SS4	SS4	RIG 1/2 SS4
Stainless Steel Type 316	SS6	SS6	SS6	RIG 1/2 SS6
Aluminum	AL	AL	AL	RIG 1/2 AL



Part No.	Conduit Size	O.D. Size	Ga. (Thickness)	Finish	Product Weight / Piece (lbs)
RIG 1"	1"	1.315"	14 (1.9)	EG	0.17
RIG 1"	1"	1.315"	14 (1.9)	EG	0.17
RIG 1"	1"	1.315"	14 (1.9)	HD	0.18
RIG 1"	1"	1.315"	14 (1.9)	HD	0.17
RIG 1"	1"	1.315"	14 (1.9)	SS4	0.17
RIG 1"	1"	1.315"	14 (1.9)	SS6	0.17
RIG 1"	1"	1.315"	14 (1.9)	AL	0.057
RIG 1"	1"	1.315"	14 (1.9)	AL	0.06
RIG 1/2"	1/2"	0.840"	16 (1.5)	EG	0.11
RIG 1/2"	1/2"	0.840"	16 (1.5)	EG	0.11
RIG 1/2"	1/2"	0.840"	16 (1.5)	HD	0.117
RIG 1/2"	1/2"	0.840"	16 (1.5)	SS4	0.11
RIG 1/2"	1/2"	0.840"	16 (1.5)	SS6	0.11
RIG 1/2"	1/2"	0.840"	16 (1.5)	AL	0.04
RIG 1/2"	1/2"	0.840"	16 (1.5)	AL	0.037
RIG 1-1/2"	1-1/2"	1.900"	12 (2.7)	EG	0.29
RIG 1-1/2"	1-1/2"	1.900"	12 (2.7)	EG	0.29
RIG 1-1/2"	1-1/2"	1.900"	12 (2.7)	HD	0.307
RIG 1-1/2"	1-1/2"	1.900"	12 (2.7)	HD	0.29
RIG 1-1/2"	1-1/2"	1.900"	12 (2.7)	GD	0.29
RIG 1-1/2"	1-1/2"	1.900"	12 (2.7)	SS4	0.29
RIG 1-1/2"	1-1/2"	1.900"	12 (2.7)	SS6	0.29
RIG 1-1/2"	1-1/2"	1.900"	12 (2.7)	AL	0.097
RIG 1-1/2"	1-1/2"	1.900"	12 (2.7)	AL	0.1
RIG 1-1/4"	1-1/4"	1.660"	14 (1.9)	EG	0.19
RIG 1-1/4"	1-1/4"	1.660"	14 (1.9)	EG	0.19
RIG 1-1/4"	1-1/4"	1.660"	14 (1.9)	HD	0.201
RIG 1-1/4"	1-1/4"	1.660"	14 (1.9)	SS4	0.19
RIG 1-1/4"	1-1/4"	1.660"	14 (1.9)	SS6	0.19

RIG 1-1/4"	1-1/4"	1.660"	14 (1.9)	AL	0.063
RIG 1-1/4"	1-1/4"	1.660"	14 (1.9)	AL	0.07
RIG 2"	2"	2.375"	12 (2.7)	EG	0.34
RIG 2"	2"	2.375"	12 (2.7)	EG	0.34
RIG 2"	2"	2.375"	12 (2.7)	HD	0.36
RIG 2"	2"	2.375"	12 (2.7)	HD	0.34
RIG 2"	2"	2.375"	12 (2.7)	SS4	0.34
RIG 2"	2"	2.375"	12 (2.7)	SS6	0.34
RIG 2"	2"	2.375"	12 (2.7)	AL	0.113
RIG 2"	2"	2.375"	12 (2.7)	AL	0.12
RIG 2-1/2"	2-1/2"	2.875"	12 (2.7)	EG	0.4
RIG 2-1/2"	2-1/2"	2.875"	12 (2.7)	EG	0.41
RIG 2-1/2"	2-1/2"	2.875"	12 (2.7)	HD	0.424
RIG 2-1/2"	2-1/2"	2.875"	12 (2.7)	SS4	0.4
RIG 2-1/2"	2-1/2"	2.875"	12 (2.7)	SS6	0.4
RIG 2-1/2"	2-1/2"	2.875"	12 (2.7)	AL	0.14
RIG 2-1/2"	2-1/2"	2.875"	12 (2.7)	AL	0.133
RIG 3"	3"	3.500"	12 (2.7)	EG	0.47
RIG 3"	3"	3.500"	12 (2.7)	EG	0.47
RIG 3"	3"	3.500"	12 (2.7)	HD	0.498
RIG 3"	3"	3.500"	12 (2.7)	SS4	0.47
RIG 3"	3"	3.500"	12 (2.7)	SS6	0.47
RIG 3"	3"	3.500"	12 (2.7)	AL	0.16
RIG 3"	3"	3.500"	12 (2.7)	AL	0.157
RIG 3/4"	3/4"	1.050"	14 (1.9)	EG	0.15
RIG 3/4"	3/4"	1.050"	14 (1.9)	EG	0.15
RIG 3/4"	3/4"	1.050"	14 (1.9)	HD	0.159
RIG 3/4"	3/4"	1.050"	14 (1.9)	SS4	0.15
RIG 3/4"	3/4"	1.050"	14 (1.9)	SS6	0.15
RIG 3/4"	3/4"	1.050"	14 (1.9)	AL	0.05
RIG 3/4"	3/4"	1.050"	14 (1.9)	AL	0.05
RIG 3/8"	3/8"	0.675"	16 (1.5)	EG	0.1
RIG 3/8"	3/8"	0.675"	16 (1.5)	EG	0.1
RIG 3/8"	3/8"	0.675"	16 (1.5)	HD	0.106
RIG 3/8"	3/8"	0.675"	16 (1.5)	SS4	0.1
RIG 3/8"	3/8"	0.675"	16 (1.5)	SS6	0.1
RIG 3/8"	3/8"	0.675"	16 (1.5)	AL	0.03
RIG 3-1/2"	3-1/2"	4.000"	11 (3.0)	EG	0.62
RIG 3-1/2"	3-1/2"	4.000"	11 (3.0)	EG	0.62
RIG 3-1/2"	3-1/2"	4.000"	11 (3.0)	HD	0.657
RIG 3-1/2"	3-1/2"	4.000"	11 (3.0)	SS4	0.62
RIG 3-1/2"	3-1/2"	4.000"	11 (3.0)	SS6	0.62
RIG 3-1/2"	3-1/2"	4.000"	11 (3.0)	AL	0.207
RIG 3-1/2"	3-1/2"	4.000"	11 (3.0)	AL	0.21
RIG 4"	4"	4.500"	11 (3.0)	EG	0.67
RIG 4"	4"	4.500"	11 (3.0)	EG	0.67
RIG 4"	4"	4.500"	11 (3.0)	HD	0.71
RIG 4"	4"	4.500"	11 (3.0)	SS4	0.67

RIG 4"	4"	4.500"	11 (3.0)	SS6	0.67
RIG 4"	4"	4.500"	11 (3.0)	AL	0.223
RIG 4"	4"	4.500"	11 (3.0)	AL	0.223
RIG 5"	5"	5.563"	11 (3.0)	EG	0.8
RIG 5"	5"	5.563"	11 (3.0)	EG	0.8
RIG 5"	5"	5.563"	11 (3.0)	HD	0.848
RIG 5"	5"	5.563"	11 (3.0)	SS4	0.8
RIG 5"	5"	5.563"	11 (3.0)	AL	0.267
RIG 6"	6"	6.625"	10 (3.4)	EG	1.02
RIG 6"	6"	6.625"	10 (3.4)	EG	1.02
RIG 6"	6"	6.625"	10 (3.4)	HD	1.081
RIG 6"	6"	6.625"	10 (3.4)	SS4	1.02
RIG 6"	6"	6.625"	10 (3.4)	AL	0.35
RIG 8"	8"	8.625"	10 (3.4)	EG	1.3
RIG 8"	8"	8.625"	10 (3.4)	EG	1.3
RIG 8"	8"	8.625"	10 (3.4)	HD	1.378
RIG 8"	8"	8.625"	10 (3.4)	SS4	1.3
RIG 8"	8"	8.625"	10 (3.4)	AL	0.4