

**Material:**

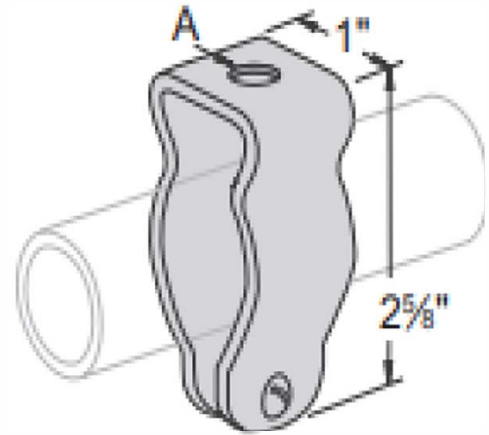
- The steel meets or exceeds the physical properties of ASTM A1011 GR 33, except with SS, ST & AL finishes.

**Finishes:**

- **Electrogalvanized (EG):** Conforms to ASTM B633, Type III SC1
- **Hot Dip Galvanized (HD):** Conforms to ASTM A123 or A153
- **Perma-Gold (GD):** Conforms to ASTM B633, Type II SC1
- **Stainless Steel, Type 304 (SS4):** ASTM A240, Type 304 \*
- **Stainless Steel, Type 316 (SS6):** ASTM A240, Type 316 \*
- **Aluminum (AL):** TBD

**Material & Finish Combinations:**

Material / Finish	Part Number Suffix	Pipe Clamp Material / Finish	Fasteners (Screw & Nut) Material / Finish	Example
Electro-galvanized	EG	EG	EG	RIG 1/2 EG
Hot-dipped galvanized	HD	HD	SS	RIG 1/2 HD
Stainless Steel Type 304	SS4	SS4	SS4	RIG 1/2 SS4
Stainless Steel Type 316	SS6	SS6	SS6	RIG 1/2 SS6
Aluminum	AL	AL	AL	RIG 1/2 AL



Part No.	Conduit Size	O.D. Size
SO 3/8"	3/8"	0.675"
SO 1/2"	1/2"	0.84"
SO 3/4"	3/4"	1.05"
SO 1"	1"	1.315"
SO 1 1/4" A	1 1/4"	1.51"
SO 1 1/4"	1 1/4"	1.66"
SO 1 1/2"	1 1/2"	1.90"
SO 2"	2"	2.375"